

Scale: 1" = 50'

OWNER: CADDO PARISH SCHOOL BOARD

ZONED: R-E

BGC Tract
6.88 ACRES
300,032 SQ FT

BROOKSHIRE'S FOOD STOP
55,154 S.F.
6.89 ACRES

PARKING @ 1300 S.F. = 187 SPACES
PROVIDED REGULAR PARKING
203 SPACES
PROVIDED HANDICAP PARKING
9 SPACES
TOTAL SPACES 212

DEVELOPMENT
DETENTION

OWNER: ARAMCO, INC.
ZONED: R-E

SOUTHERN LOOP CIRCLE

NOTE: SEWER TO BE INSTALLED
AS PART OF PHASE I

EXECUTIVE
DIRECTOR
APPROVAL

10-25-2021 *ABC*
Date By



CONNECTIONS REQUIRED FOR PHASE I

EXECUTIVE DIRECTOR APPROVAL
Date By

SITE IS LOCATED ENTIRELY
WITHIN FLOOD ZONE "X" PER
FEMA FIRM MAP 22017C0605H
DATED MAY 19, 2014

BROOKSHIRE GROCERY COMPANY
TYLER, TX

LOT 1, PROPOSED BGC COMMERCIAL SUBDIVISION

10/15/2021 8:54:38 AM J:\CIVIL\SITE PLANS\BGC\BROOKSHIRE\SHREVEPORT - NORRIS FERRY ROAD\STUDY\7729-1-IPC SITE PLAN.DWG

NO.	REVISIONS	DATE

Mohr and Associates, Inc.
Consulting Civil Engineers & Land Surveyors
1324 N. Hearn Ave., Ste 301 Phone: (318) 686-7190
Shreveport, Louisiana 71107 Fax: (318) 402-4400



BROOKSHIRE GROCERY COMPANY
NORRIS FERRY ROAD
SITE PLAN

FOR
BGC, INC.

Date	5-11-2021
Scale	1"=50'
Job	37723
Sheet	1
Drawn	DBA
of	1 Sheets

21-96-C

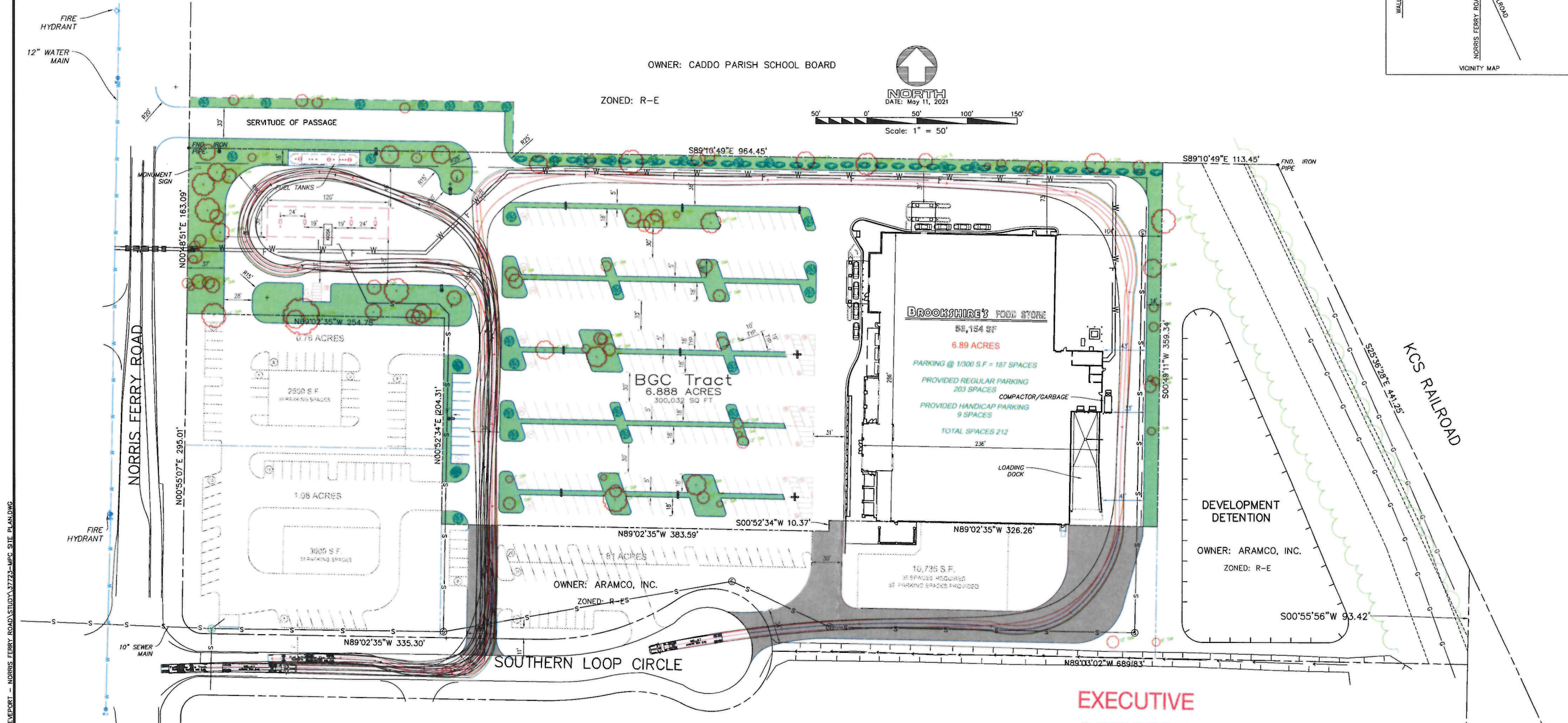
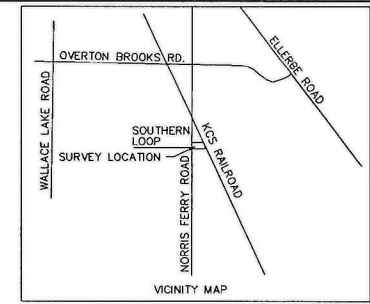
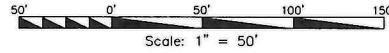
SWEPT PATHS ONLY.

OWNER: CADDO PARISH SCHOOL BOARD

ZONED: R-E



DATE: May 11, 2021



**EXECUTIVE
DIRECTOR
APPROVAL**

10-25-2021 *AK*
Date By

SITE IS LOCATED ENTIRELY
WITHIN FLOOD ZONE "X" PER
FEMA FIRM MAP 22017C0605H
DATED MAY 19, 2014

- PROPOSED LANDSCAPING LEGEND**
- SHADE TREE - 34 TOTAL
 - 6-SOUTHERN MAGNOLIA(MAGNOLIA GRANDIFLORA)
 - 6-BALD CYPRESS(TAXODIUM DISTICHUM)
 - 6-R
 - 6-C
 - 5-R
 - 5-A
 - SHR
 - 31-
 - 31-
 - 31-
 - 31-NANDINA(NANDINA DUMESILLA)
 - 31-JUNIPER(JUNIPERUA SPP.)
 - 31-CAMELLIA(CAMELLIA JAPONICA)
 - 29-HINESE HOLY(ILEX COMUTA)
- EXISTING LANDSCAPING LEGEND**
- OAK TREE - 88 TOTAL
 - CONNECTIONS REQUIRED FOR PHASE I
 - S/S/SOD

**SEE LANDSCAPE PLAN
SHEET FOR PROPOSED
LANDSCAPE.**

BROOKSHIRE GROCERY COMPANY
TYLER, TX

LOT 1, PROPOSED BGC COMMERCIAL SUBDIVISION

NO.	REVISIONS	DATE

Mohr and Associates, Inc.
Consulting Civil Engineers & Land Surveyors
1324 N. Hearne Ave., Ste 301 Phone: (318) 686-7190
Shreveport, Louisiana 71107 Fax: (318) 402-4400

BROOKSHIRE GROCERY COMPANY
NORRIS FERRY ROAD
SITE PLAN
FOR BGC, INC.

Date: 5-11-2021
Scale: 1"=50'
Job: 37723 Drawn: DBA
Sheet: 1 of 1 Sheets







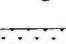

6/17/2021 3:39:26 PM J:\CADD\SITE PLANS\BGC\BROOKSHIRESHREVEPORT - NORRIS FERRY ROAD\STUDY\37723-MFC-SITE PLAN.DWG

21-96-C

PLANT MATERIALS LIST

QTY.	COMMON NAME	BOTANICAL NAME	SIZE	NOTE
10	SOUTHERN MAGNOLIA	MAGNOLIA GRADIFLORA	2" CAL.	
8	BALD CYPRESS	TAXODIUM DISTICHUM	2" CAL.	
11	RIVER BIRCH	BETULA NIGRA	2" CAL.	
9	GREEN ASH	FRAXINUS PENNSYLVANICA	2" CAL.	
9	RED MAPLE	ACER RUBRUM	2" CAL.	
10	AMERICAN SYCAMORE	PLATANUS OCCIDENTALIS	2" CAL.	
33	AZALEA	RHOODENDRON SPP.	3 GAL.	
33	COMMON BOXWOOD	BUXUS SEMPERVIRENS	3 GAL.	
33	INDIAN HAWTHORN	RAPHOLEPIS INDICA	3 GAL.	
33	NANDAN	JUNIPER SPP.	3 GAL.	
33	CAMELLIA	CAMELLIA JAPONICA	3 GAL.	
31	CHINESE HOLY	ILEX COMUTA	3 GAL.	
1848	SQ. YARDS OF CENTPEDE SOD	EREMOCHLOA OPHUROIDES		

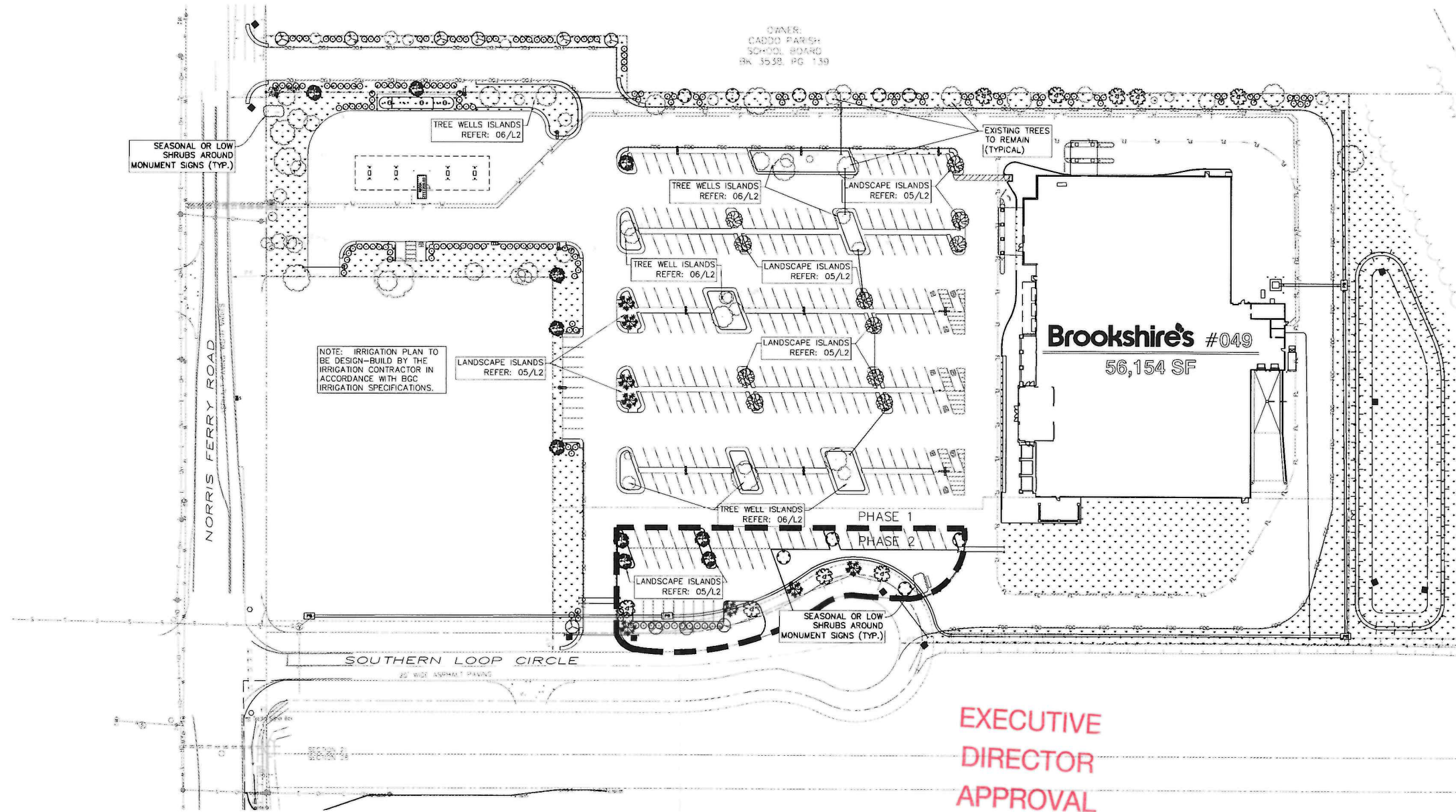
LEGEND

-  BALD CYPRESS
-  SOUTHERN MAGNOLIA
-  AMERICAN SYCAMORE
-  GREEN ASH
-  RIVER BIRCH
-  RED MAPLE
-  SHRUB (3 GAL)
-  SOD AREA

LANDSCAPING REQUIREMENTS:

- ALL LANDSCAPING SHALL BE INSTALLED IN A SOUND MANNER AND IN ACCORDANCE WITH ACCEPTED STANDARDS OF THE LOUISIANA NURSERYMAN'S MANUAL FOR ENVIRONMENTAL HORTICULTURE INDUSTRY, LATEST EDITION.
- ALL PLANTING MATERIALS SHALL MEET MINIMUM REQUIREMENTS OF THE AMERICAN STANDARDS FOR NURSERY STOCK, ANSI 260.1, LATEST EDITION.
- SINGLE TRUNK TREES SHALL HAVE MIN. 2 INCH CALIPER. MULTI-TRUNK TREES SHALL HAVE MIN. 3 MAIN TRUNKS OF 1 INCH CALIPER. ALL TREES MUST BE 8 FT OR TALLER AT PLANTING.
- LANDSCAPING CONTRACTOR SHALL BE RESPONSIBLE FOR 1 YEAR AFTER DATE OF PLANTING FOR TIMELY REMOVAL OF ANY PLANT NOT IN A SATISFACTORY AND HEALTHY CONDITION FROM THE SITE, AND REPLACEMENT WITH MATERIALS OF LIKE KIND AND SIZE AND IN A MANNER SPECIFIED FOR ORIGINAL PLANTING AT NO ADDITIONAL COST TO BROOKSHIRE'S.

OWNER:
CADD PARISH
SCHOOL BOARD
RN 3538, PG 139



**EXECUTIVE
DIRECTOR
APPROVAL**

10.25.2021 *And*
Date By

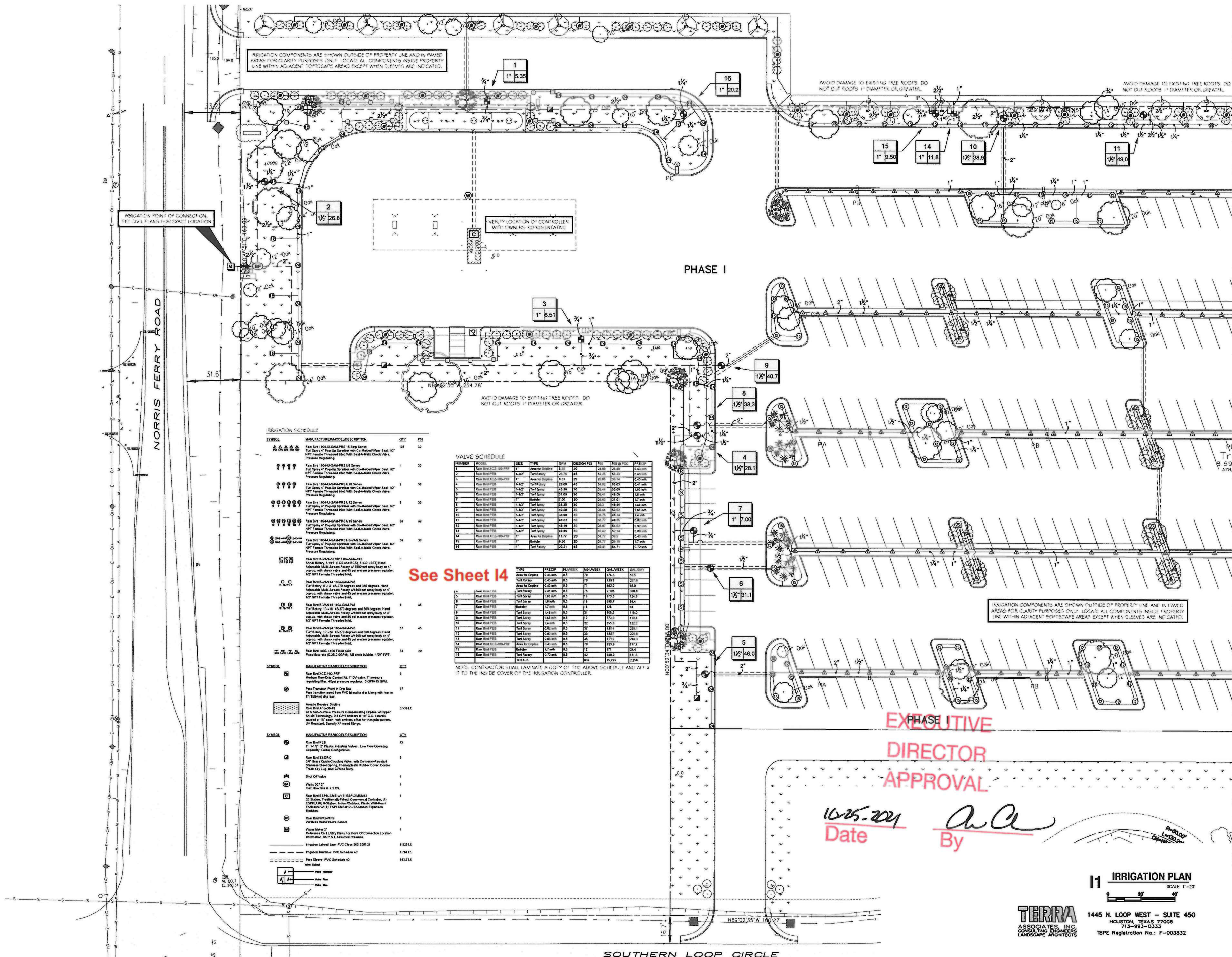
01 LANDSCAPING PLAN
SCALE 1"=40'
NORTH

Mohr and Associates, Inc.
Consulting Civil Engineers & Land Surveyors
1324 N. Hearne Ave., Ste. 301 Phone: (318) 686-7100
Shreveport, Louisiana 71107 Fax: (318) 402-4400

BROOKSHIRE GROCERY COMPANY
LANDSCAPE PLAN

Date 10-12-2021
Scale 1"=40'
Drawn DBA
Job 37996
Sheet **1**
of 1 Sheets

21-96-C



IRRIGATION SCHEDULE

IRRIGATION SCHEDULE	ZONE	VALVE	PIPING	EMITTERS	FLOW	OPERATION	TIME	PERIOD
1. Rain Bird 1804-S&A-PRS 18 1/2 Zone Series Turf Sprinkler with Colaband Upper Seal, 1/2" NPT Female Threaded Body, 3/8" Seal-A-Band Check Valve, Pressure Regulating	1	1	1"	1500	1.50	10:00-11:00	30	10:00-11:00
2. Rain Bird 1804-S&A-PRS 18 1/2 Zone Series Turf Sprinkler with Colaband Upper Seal, 1/2" NPT Female Threaded Body, 3/8" Seal-A-Band Check Valve, Pressure Regulating	2	2	1"	1500	1.50	11:00-12:00	30	11:00-12:00
3. Rain Bird 1804-S&A-PRS 18 1/2 Zone Series Turf Sprinkler with Colaband Upper Seal, 1/2" NPT Female Threaded Body, 3/8" Seal-A-Band Check Valve, Pressure Regulating	3	3	1"	1500	1.50	12:00-13:00	30	12:00-13:00
4. Rain Bird 1804-S&A-PRS 18 1/2 Zone Series Turf Sprinkler with Colaband Upper Seal, 1/2" NPT Female Threaded Body, 3/8" Seal-A-Band Check Valve, Pressure Regulating	4	4	1"	1500	1.50	13:00-14:00	30	13:00-14:00
5. Rain Bird 1804-S&A-PRS 18 1/2 Zone Series Turf Sprinkler with Colaband Upper Seal, 1/2" NPT Female Threaded Body, 3/8" Seal-A-Band Check Valve, Pressure Regulating	5	5	1"	1500	1.50	14:00-15:00	30	14:00-15:00
6. Rain Bird 1804-S&A-PRS 18 1/2 Zone Series Turf Sprinkler with Colaband Upper Seal, 1/2" NPT Female Threaded Body, 3/8" Seal-A-Band Check Valve, Pressure Regulating	6	6	1"	1500	1.50	15:00-16:00	30	15:00-16:00
7. Rain Bird 1804-S&A-PRS 18 1/2 Zone Series Turf Sprinkler with Colaband Upper Seal, 1/2" NPT Female Threaded Body, 3/8" Seal-A-Band Check Valve, Pressure Regulating	7	7	1"	1500	1.50	16:00-17:00	30	16:00-17:00
8. Rain Bird 1804-S&A-PRS 18 1/2 Zone Series Turf Sprinkler with Colaband Upper Seal, 1/2" NPT Female Threaded Body, 3/8" Seal-A-Band Check Valve, Pressure Regulating	8	8	1"	1500	1.50	17:00-18:00	30	17:00-18:00
9. Rain Bird 1804-S&A-PRS 18 1/2 Zone Series Turf Sprinkler with Colaband Upper Seal, 1/2" NPT Female Threaded Body, 3/8" Seal-A-Band Check Valve, Pressure Regulating	9	9	1"	1500	1.50	18:00-19:00	30	18:00-19:00
10. Rain Bird 1804-S&A-PRS 18 1/2 Zone Series Turf Sprinkler with Colaband Upper Seal, 1/2" NPT Female Threaded Body, 3/8" Seal-A-Band Check Valve, Pressure Regulating	10	10	1"	1500	1.50	19:00-20:00	30	19:00-20:00
11. Rain Bird 1804-S&A-PRS 18 1/2 Zone Series Turf Sprinkler with Colaband Upper Seal, 1/2" NPT Female Threaded Body, 3/8" Seal-A-Band Check Valve, Pressure Regulating	11	11	1"	1500	1.50	20:00-21:00	30	20:00-21:00
12. Rain Bird 1804-S&A-PRS 18 1/2 Zone Series Turf Sprinkler with Colaband Upper Seal, 1/2" NPT Female Threaded Body, 3/8" Seal-A-Band Check Valve, Pressure Regulating	12	12	1"	1500	1.50	21:00-22:00	30	21:00-22:00
13. Rain Bird 1804-S&A-PRS 18 1/2 Zone Series Turf Sprinkler with Colaband Upper Seal, 1/2" NPT Female Threaded Body, 3/8" Seal-A-Band Check Valve, Pressure Regulating	13	13	1"	1500	1.50	22:00-23:00	30	22:00-23:00
14. Rain Bird 1804-S&A-PRS 18 1/2 Zone Series Turf Sprinkler with Colaband Upper Seal, 1/2" NPT Female Threaded Body, 3/8" Seal-A-Band Check Valve, Pressure Regulating	14	14	1"	1500	1.50	23:00-00:00	30	23:00-00:00
15. Rain Bird 1804-S&A-PRS 18 1/2 Zone Series Turf Sprinkler with Colaband Upper Seal, 1/2" NPT Female Threaded Body, 3/8" Seal-A-Band Check Valve, Pressure Regulating	15	15	1"	1500	1.50	00:00-01:00	30	00:00-01:00
16. Rain Bird 1804-S&A-PRS 18 1/2 Zone Series Turf Sprinkler with Colaband Upper Seal, 1/2" NPT Female Threaded Body, 3/8" Seal-A-Band Check Valve, Pressure Regulating	16	16	1"	1500	1.50	01:00-02:00	30	01:00-02:00
TOTALS								

VALVE SCHEDULE

NO.	TYPE	SIZE	FLOW	OPERATION	TIME	PERIOD
1	Rain Bird 1804-S&A-PRS 18 1/2 Zone Series	1"	1.50	10:00-11:00	30	10:00-11:00
2	Rain Bird 1804-S&A-PRS 18 1/2 Zone Series	1"	1.50	11:00-12:00	30	11:00-12:00
3	Rain Bird 1804-S&A-PRS 18 1/2 Zone Series	1"	1.50	12:00-13:00	30	12:00-13:00
4	Rain Bird 1804-S&A-PRS 18 1/2 Zone Series	1"	1.50	13:00-14:00	30	13:00-14:00
5	Rain Bird 1804-S&A-PRS 18 1/2 Zone Series	1"	1.50	14:00-15:00	30	14:00-15:00
6	Rain Bird 1804-S&A-PRS 18 1/2 Zone Series	1"	1.50	15:00-16:00	30	15:00-16:00
7	Rain Bird 1804-S&A-PRS 18 1/2 Zone Series	1"	1.50	16:00-17:00	30	16:00-17:00
8	Rain Bird 1804-S&A-PRS 18 1/2 Zone Series	1"	1.50	17:00-18:00	30	17:00-18:00
9	Rain Bird 1804-S&A-PRS 18 1/2 Zone Series	1"	1.50	18:00-19:00	30	18:00-19:00
10	Rain Bird 1804-S&A-PRS 18 1/2 Zone Series	1"	1.50	19:00-20:00	30	19:00-20:00
11	Rain Bird 1804-S&A-PRS 18 1/2 Zone Series	1"	1.50	20:00-21:00	30	20:00-21:00
12	Rain Bird 1804-S&A-PRS 18 1/2 Zone Series	1"	1.50	21:00-22:00	30	21:00-22:00
13	Rain Bird 1804-S&A-PRS 18 1/2 Zone Series	1"	1.50	22:00-23:00	30	22:00-23:00
14	Rain Bird 1804-S&A-PRS 18 1/2 Zone Series	1"	1.50	23:00-00:00	30	23:00-00:00
15	Rain Bird 1804-S&A-PRS 18 1/2 Zone Series	1"	1.50	00:00-01:00	30	00:00-01:00
16	Rain Bird 1804-S&A-PRS 18 1/2 Zone Series	1"	1.50	01:00-02:00	30	01:00-02:00

See Sheet 14

NO.	TYPE	PRECIP	RUNTIME	MIN WHEEL	GALLONS	GALLONS
1	Rain Bird 1804-S&A-PRS 18 1/2 Zone Series	0.43 in.	30	15	210	210
2	Rain Bird 1804-S&A-PRS 18 1/2 Zone Series	0.43 in.	30	15	210	210
3	Rain Bird 1804-S&A-PRS 18 1/2 Zone Series	0.43 in.	30	15	210	210
4	Rain Bird 1804-S&A-PRS 18 1/2 Zone Series	0.43 in.	30	15	210	210
5	Rain Bird 1804-S&A-PRS 18 1/2 Zone Series	0.43 in.	30	15	210	210
6	Rain Bird 1804-S&A-PRS 18 1/2 Zone Series	0.43 in.	30	15	210	210
7	Rain Bird 1804-S&A-PRS 18 1/2 Zone Series	0.43 in.	30	15	210	210
8	Rain Bird 1804-S&A-PRS 18 1/2 Zone Series	0.43 in.	30	15	210	210
9	Rain Bird 1804-S&A-PRS 18 1/2 Zone Series	0.43 in.	30	15	210	210
10	Rain Bird 1804-S&A-PRS 18 1/2 Zone Series	0.43 in.	30	15	210	210
11	Rain Bird 1804-S&A-PRS 18 1/2 Zone Series	0.43 in.	30	15	210	210
12	Rain Bird 1804-S&A-PRS 18 1/2 Zone Series	0.43 in.	30	15	210	210
13	Rain Bird 1804-S&A-PRS 18 1/2 Zone Series	0.43 in.	30	15	210	210
14	Rain Bird 1804-S&A-PRS 18 1/2 Zone Series	0.43 in.	30	15	210	210
15	Rain Bird 1804-S&A-PRS 18 1/2 Zone Series	0.43 in.	30	15	210	210
16	Rain Bird 1804-S&A-PRS 18 1/2 Zone Series	0.43 in.	30	15	210	210

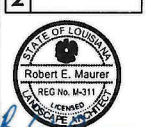
NOTE: CONTINUATION SHALL LAMINATE A COPY OF THE ABOVE SCHEDULE AND ATTACH IT TO THE INSIDE COVER OF THE IRRIGATION CONTROLLER.

BCC fs
BROOKSHIRE
facility services

430 E. Front St.
Tyler, TX 75702
903-579-0500

NEW BUILDING & FUEL STATION
Brookshire's #049
NORRIS FERRY
SHREVEPORT, LOUISIANA

NO.	DATE	REVISION DESCRIPTION



ISSUED FOR:
<input type="checkbox"/> PRELIMINARY
<input type="checkbox"/> REVIEW
<input type="checkbox"/> PERMIT
<input type="checkbox"/> BIDDING
<input type="checkbox"/> CONSTRUCTION

AS OF: 8/23/21
PROJECT NO.: 4004900-0
STORE NO.:
049
SHEET NO.: 11

PHASE I EXECUTIVE DIRECTOR APPROVAL
10-25-2021 Date By *[Signature]*

TERRA ASSOCIATES, INC.
CONSULTING ENGINEERS
LANDSCAPE ARCHITECTS
1445 N. LOOP WEST - SUITE 450
HOUSTON, TEXAS 77008
713-963-1033
TBPB Registration No.: F-003832

21-96-C

IRRIGATION SCHEDULE

SYMBOL	MANUFACTURER/MODEL/DESCRIPTION	QTY	ESI
▲▲▲▲▲	Run Box 1804AL-S&M-PES 15 Drop Series Turf Sprinkler with Co-Adapted Filter Seal, 1/2" NPT Female Threaded Inlet, VHS Seal-A-Rite Check Valve, Pressure Regulating	103	30
●●●●●	Run Box 1804AL-S&M-PES US Series Turf Sprinkler 7" Face-Off Sprinkler with Co-Adapted Filter Seal, 1/2" NPT Female Threaded Inlet, VHS Seal-A-Rite Check Valve, Pressure Regulating	1	30
●●●●●	Run Box 1804AL-S&M-PES US Series Turf Sprinkler 7" Face-Off Sprinkler with Co-Adapted Filter Seal, 1/2" NPT Female Threaded Inlet, VHS Seal-A-Rite Check Valve, Pressure Regulating	2	30
●●●●●	Run Box 1804AL-S&M-PES US Series Turf Sprinkler 7" Face-Off Sprinkler with Co-Adapted Filter Seal, 1/2" NPT Female Threaded Inlet, VHS Seal-A-Rite Check Valve, Pressure Regulating	8	30
●●●●●	Run Box 1804AL-S&M-PES US Series Turf Sprinkler 7" Face-Off Sprinkler with Co-Adapted Filter Seal, 1/2" NPT Female Threaded Inlet, VHS Seal-A-Rite Check Valve, Pressure Regulating	83	30
●●●●●	Run Box 1804AL-S&M-PES US Series Turf Sprinkler 7" Face-Off Sprinkler with Co-Adapted Filter Seal, 1/2" NPT Female Threaded Inlet, VHS Seal-A-Rite Check Valve, Pressure Regulating	56	30
●●●●●	Run Box 1804AL-S&M-PES US Series Turf Sprinkler 7" Face-Off Sprinkler with Co-Adapted Filter Seal, 1/2" NPT Female Threaded Inlet, VHS Seal-A-Rite Check Valve, Pressure Regulating	8	45
●●●●●	Run Box 1804AL-S&M-PES US Series Turf Sprinkler 7" Face-Off Sprinkler with Co-Adapted Filter Seal, 1/2" NPT Female Threaded Inlet, VHS Seal-A-Rite Check Valve, Pressure Regulating	8	45
●●●●●	Run Box 1804AL-S&M-PES US Series Turf Sprinkler 7" Face-Off Sprinkler with Co-Adapted Filter Seal, 1/2" NPT Female Threaded Inlet, VHS Seal-A-Rite Check Valve, Pressure Regulating	37	45
●●●●●	Run Box 1804AL-S&M-PES US Series Turf Sprinkler 7" Face-Off Sprinkler with Co-Adapted Filter Seal, 1/2" NPT Female Threaded Inlet, VHS Seal-A-Rite Check Valve, Pressure Regulating	33	30

SYMBOL	MANUFACTURER/MODEL/DESCRIPTION	QTY
■	Run Box 1804AL-S&M-PES US Series Turf Sprinkler 7" Face-Off Sprinkler with Co-Adapted Filter Seal, 1/2" NPT Female Threaded Inlet, VHS Seal-A-Rite Check Valve, Pressure Regulating	3
■	Run Box 1804AL-S&M-PES US Series Turf Sprinkler 7" Face-Off Sprinkler with Co-Adapted Filter Seal, 1/2" NPT Female Threaded Inlet, VHS Seal-A-Rite Check Valve, Pressure Regulating	37

See Sheet I4

SYMBOL	MANUFACTURER/MODEL/DESCRIPTION	QTY
○	Run Box 1804AL-S&M-PES US Series Turf Sprinkler 7" Face-Off Sprinkler with Co-Adapted Filter Seal, 1/2" NPT Female Threaded Inlet, VHS Seal-A-Rite Check Valve, Pressure Regulating	3
○	Run Box 1804AL-S&M-PES US Series Turf Sprinkler 7" Face-Off Sprinkler with Co-Adapted Filter Seal, 1/2" NPT Female Threaded Inlet, VHS Seal-A-Rite Check Valve, Pressure Regulating	37

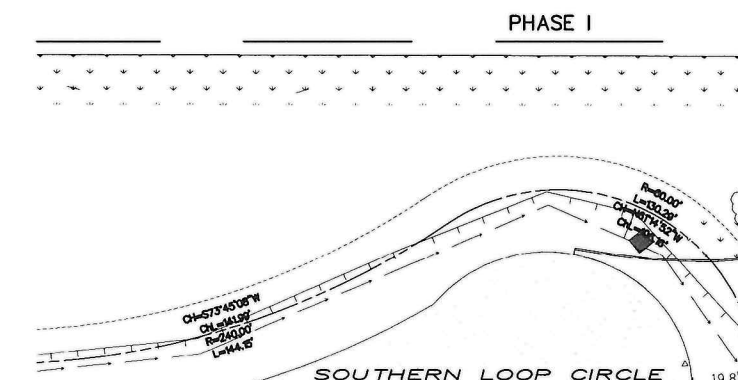
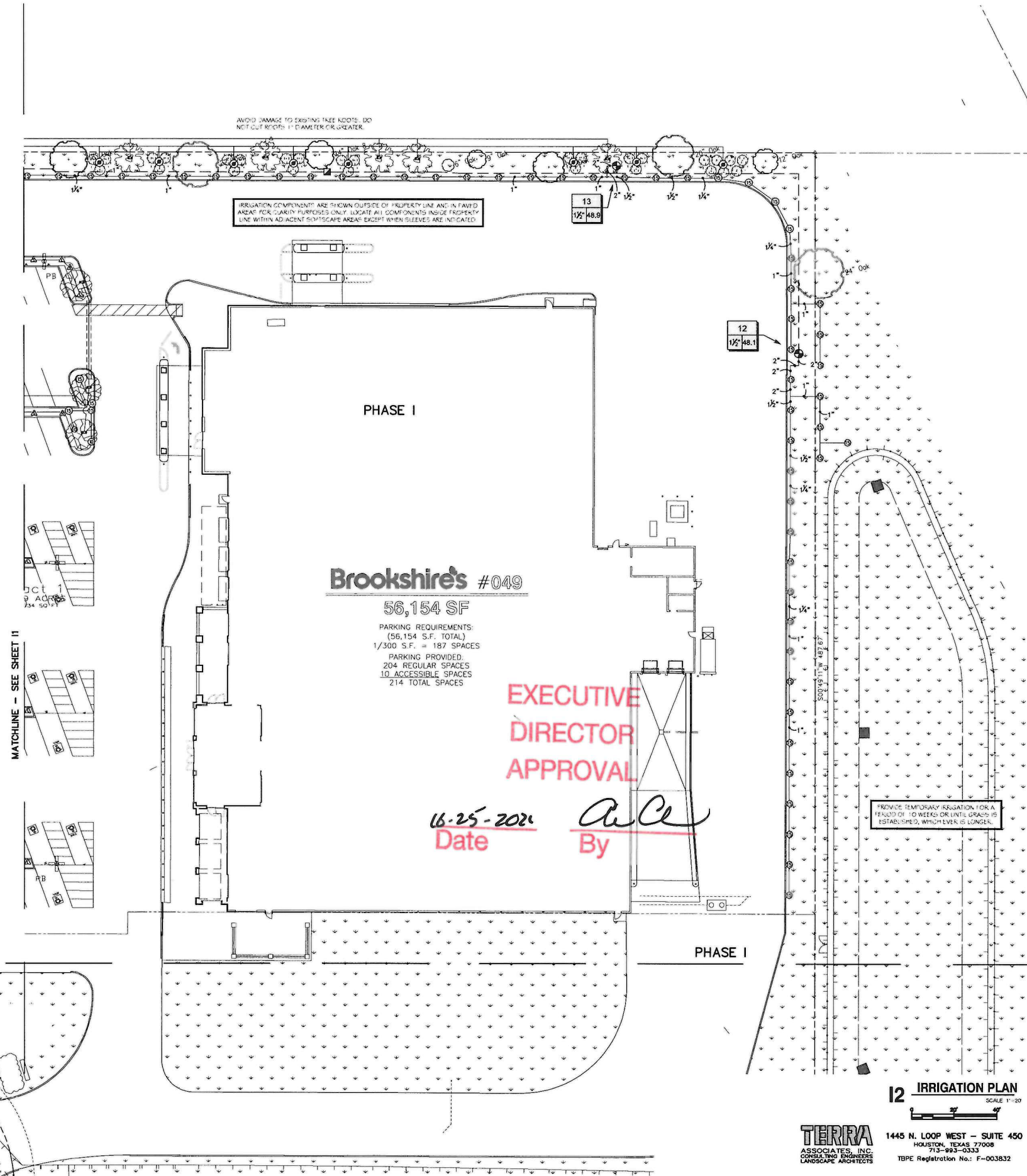
VALVE SCHEDULE

NUMBER	MODEL	SIZE	TYPE	QPM	DESIGN PSI	PSI @ POC	PRELIM
1	Run Box 1804AL-S&M-PES US Series	1"	Area for Drains	5.31	20	24.89	8.42 mph
2	Run Box 1804AL-S&M-PES US Series	1"	Turf Sprinkler	28.18	45	32.38	8.42 mph
3	Run Box 1804AL-S&M-PES US Series	1"	Area for Drains	6.21	20	25.95	10.14
4	Run Box 1804AL-S&M-PES US Series	1"	Turf Sprinkler	28.18	45	34.82	10.14
5	Run Box 1804AL-S&M-PES US Series	1"	Turf Sprinkler	42.38	30	38.41	11.88
6	Run Box 1804AL-S&M-PES US Series	1"	Turf Sprinkler	38.35	30	35.03	11.88
7	Run Box 1804AL-S&M-PES US Series	1"	Turf Sprinkler	38.35	30	35.03	11.88
8	Run Box 1804AL-S&M-PES US Series	1"	Turf Sprinkler	40.49	30	36.44	12.83
9	Run Box 1804AL-S&M-PES US Series	1"	Turf Sprinkler	38.35	30	35.03	12.83
10	Run Box 1804AL-S&M-PES US Series	1"	Turf Sprinkler	42.38	30	38.41	12.83
11	Run Box 1804AL-S&M-PES US Series	1"	Turf Sprinkler	42.38	30	38.41	12.83
12	Run Box 1804AL-S&M-PES US Series	1"	Turf Sprinkler	48.18	30	43.87	14.52
13	Run Box 1804AL-S&M-PES US Series	1"	Turf Sprinkler	44.86	30	41.43	14.52
14	Run Box 1804AL-S&M-PES US Series	1"	Area for Drains	11.77	20	14.77	17.24
15	Run Box 1804AL-S&M-PES US Series	1"	Area for Drains	8.91	20	11.77	17.24
16	Run Box 1804AL-S&M-PES US Series	1"	Turf Sprinkler	29.21	45	34.81	18.71

WATERING SCHEDULE

NUMBER	MODEL	TYPE	PRECIP	BL/WEER	MIN/INCH	GAL/WEER	GAL/GAY
1	Run Box 1804AL-S&M-PES US Series	Area for Drains	0.43 in	0.0	70	31.3	0.0
2	Run Box 1804AL-S&M-PES US Series	Turf Sprinkler	0.43 in	0.0	70	12.5	0.0
3	Run Box 1804AL-S&M-PES US Series	Area for Drains	0.43 in	0.0	71	48.2	0.0
4	Run Box 1804AL-S&M-PES US Series	Turf Sprinkler	0.43 in	0.0	70	12.09	0.0
5	Run Box 1804AL-S&M-PES US Series	Turf Sprinkler	0.43 in	0.0	18	41.3	0.0
6	Run Box 1804AL-S&M-PES US Series	Turf Sprinkler	0.43 in	0.0	18	39.7	0.0
7	Run Box 1804AL-S&M-PES US Series	Area for Drains	0.43 in	0.0	18	130	0.0
8	Run Box 1804AL-S&M-PES US Series	Turf Sprinkler	0.43 in	0.0	21	105	0.0
9	Run Box 1804AL-S&M-PES US Series	Turf Sprinkler	0.43 in	0.0	18	77.9	0.0
10	Run Box 1804AL-S&M-PES US Series	Turf Sprinkler	0.43 in	0.0	22	86.4	0.0
11	Run Box 1804AL-S&M-PES US Series	Turf Sprinkler	0.43 in	0.0	37	149.4	0.0
12	Run Box 1804AL-S&M-PES US Series	Turf Sprinkler	0.43 in	0.0	41	167	0.0
13	Run Box 1804AL-S&M-PES US Series	Turf Sprinkler	0.43 in	0.0	35	170	0.0
14	Run Box 1804AL-S&M-PES US Series	Area for Drains	0.43 in	0.0	70	22.9	0.0
15	Run Box 1804AL-S&M-PES US Series	Area for Drains	0.43 in	0.0	18	11	0.0
16	Run Box 1804AL-S&M-PES US Series	Turf Sprinkler	0.43 in	0.0	42	148.2	0.0
TOTALS					839	15,790	2.05

NOTE: CONTRACTOR SHALL MAINTAIN A COPY OF THE ABOVE SCHEDULE AND A COPY OF IT TO THE INSIDE COVER OF THE IRRIGATION CONTROLLER.



12 IRRIGATION PLAN
SCALE 1"=20'

TERRA ASSOCIATES, INC.
CONSULTING ENGINEERS
LANDSCAPE ARCHITECTS
1445 N. LOOP WEST - SUITE 450
HOUSTON, TEXAS 77008
713-961-0333
TXBE Registration No.: F-003832

BCC fs
BROOKSHIRE
facility services

430 E. Front St.
Tyler, TX 75702
903-579-0500

NEW BUILDING & FUEL STATION
Brookshire's #049
SHREVEPORT, LOUISIANA
NORRIS FERRY

NO.	DATE	REVISION DESCRIPTION

STATE OF LOUISIANA
Robert E. Maurer
REG No. M-311
LICENSED PROFESSIONAL ENGINEER

ISSUED FOR:
<input type="checkbox"/> PRELIMINARY
<input type="checkbox"/> REVIEW
<input type="checkbox"/> PERMIT
<input type="checkbox"/> BIDDING
<input type="checkbox"/> CONSTRUCTION

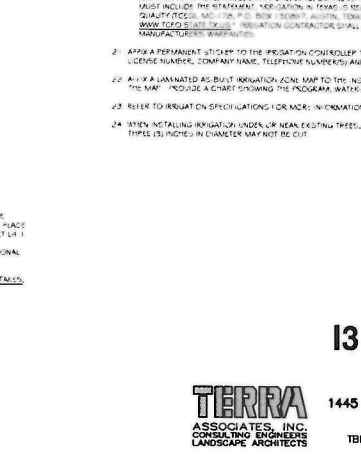
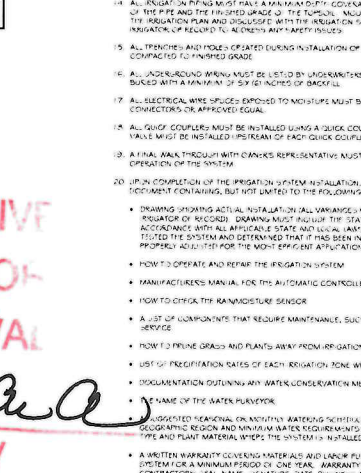
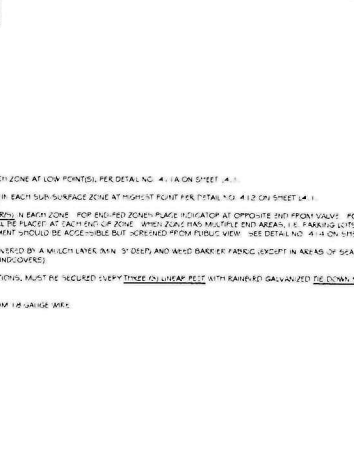
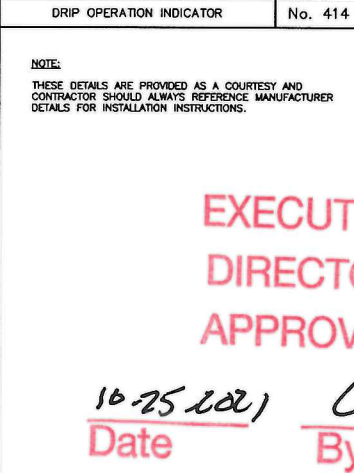
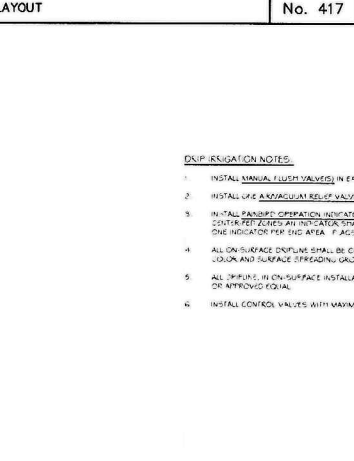
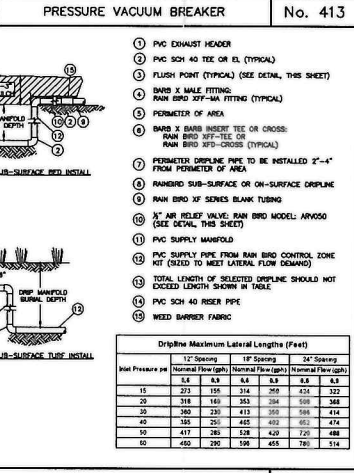
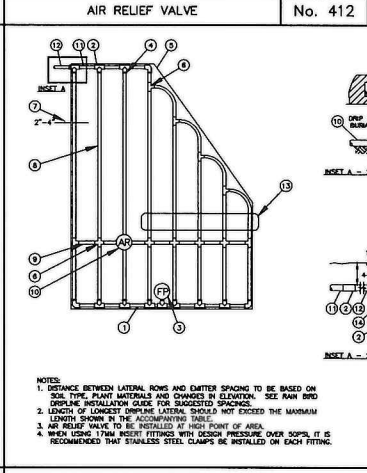
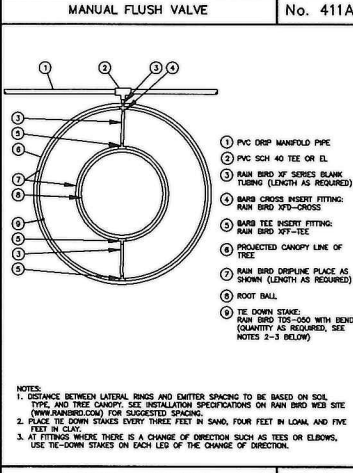
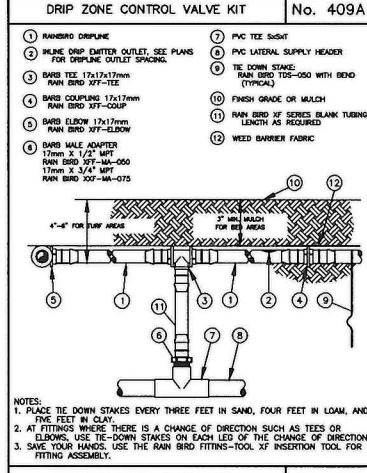
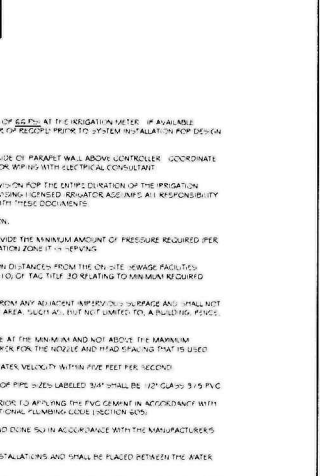
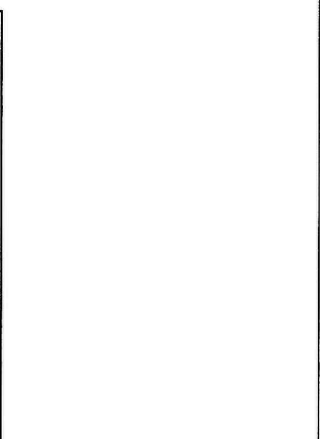
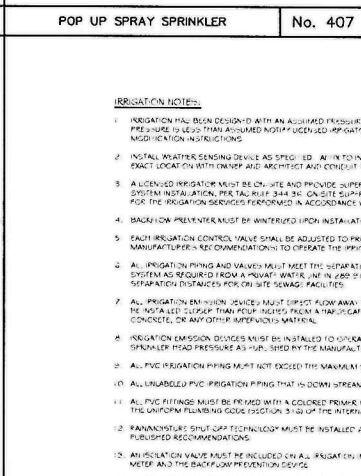
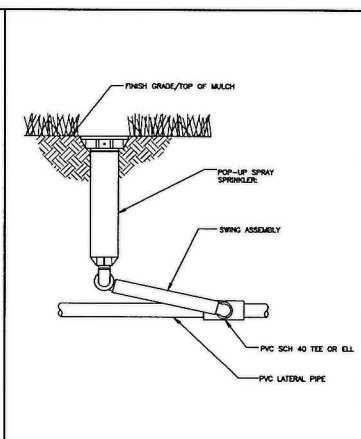
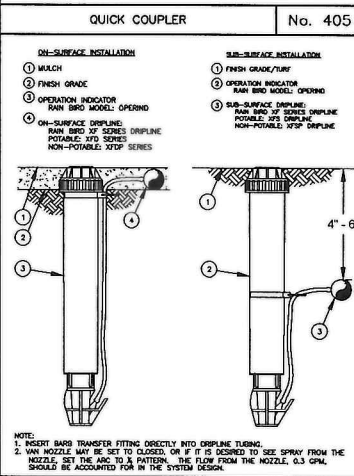
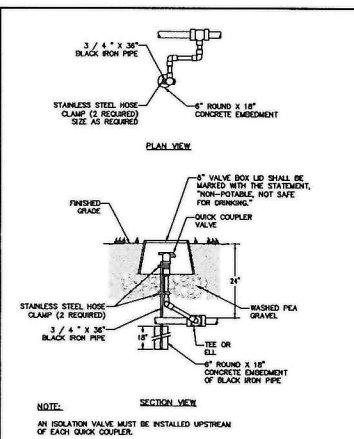
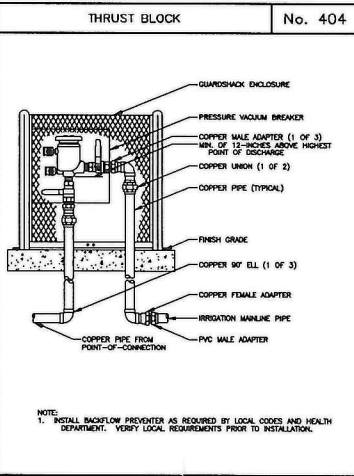
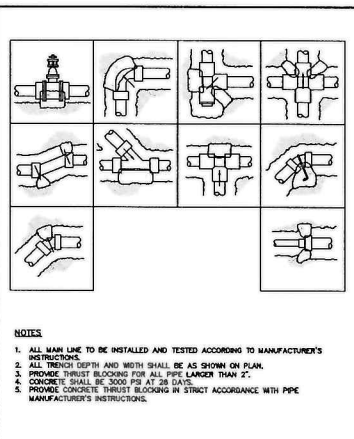
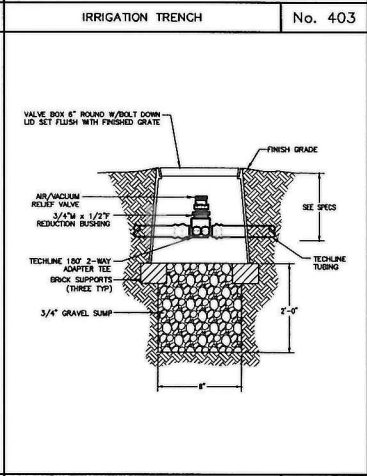
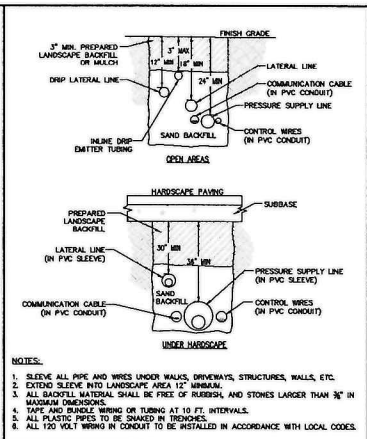
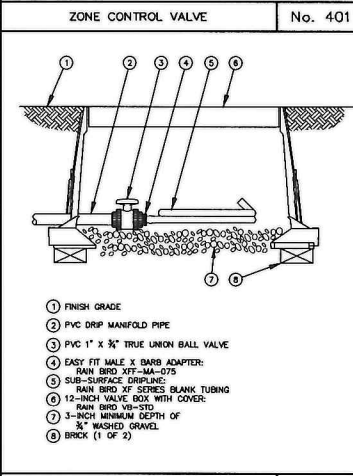
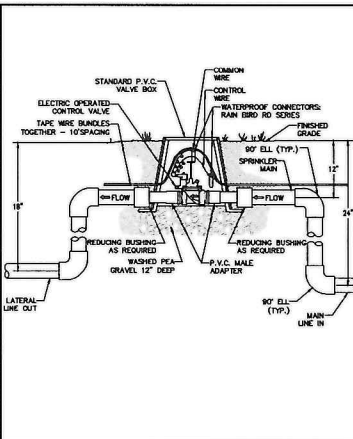
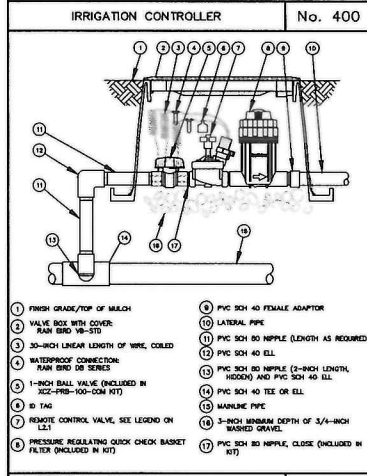
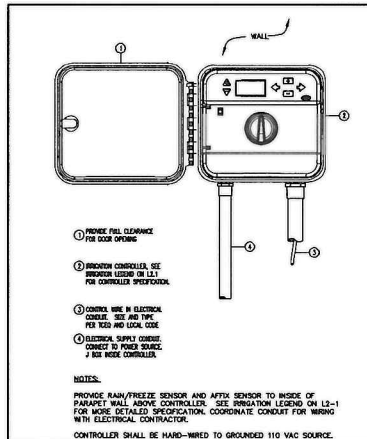
AS OF: 8/23/21

PROJECT NO: 4004900-0

TITLE NO: 049

SHEET NO: 12

21-96-C



IRRI-GATION NOTES:

1. INSTALL MANUAL FLUSH VALVES IN EACH ZONE AT LOW POINTS PER DETAIL NO. 411A ON SHEET 417.
2. INSTALL ONE AUTOMATIC RELIEF VALVE IN EACH SUB-SURFACE ZONE AT HIGHEST POINT PER DETAIL NO. 412 ON SHEET 417.
3. INSTALL MANUAL OPERATION INDICATORS IN EACH ZONE FOR ENDED ZONE PLACEMENT AT OPPOSITE END FROM VALVE. POSITION INDICATORS AT INTERSECTION PLACES AT EACH END OF ZONE. ALWAYS LEAVE MULTIPLE END AREAS TO PARKING LOTS. PLACE ONE INDICATOR PER END AREA. PLACEMENT SHOULD BE ACCESSIBLE BUT SHIELDED FROM PUBLIC VIEW. (SEE DETAIL NO. 414 ON SHEET 417.)
4. ALL ON-SURFACE DRIPLINE SHALL BE COVERED BY A MULCH LAYER, SAND, STYRENE AND BARRIER FABRIC EXCEPT IN AREAS OF SEASONAL LOUEN AND SURFACE SPREADING GROUNDSCOVERS.
5. ALL DRIPLINE IN ON-SURFACE INSTALLATIONS MUST BE SECURED EVERY THREE FEET USING RIBBED GALVANIZED STEEL STRAP WITH INTERVOLS EQUAL.
6. INSTALL CONTROL VALVES WITH MAXIMUM 18 INCHES BORE.

DRIPLINE ADAPTER FOR PVC (No. 415)

1. HANDED DRIPLINE
2. 1/2 INCH DRAIN OUTLET. SEE PLANS FOR DRIPLINE OUTLET SPACING.
3. BANES TEE: 17x17x17mm RAIN BRD 3/4" TEE
4. BANES COUPLING: 17x17mm RAIN BRD 3/4" COUPLER
5. BANES ELBOW: 17x17mm RAIN BRD 3/4" ELBOW
6. BANES MALE ADAPTER: 17mm 3/4" 3/4" RAIN BRD 3/4" MALE ADAPTER
7. BANES MALE ADAPTER: 17mm 3/4" 3/4" RAIN BRD 3/4" MALE ADAPTER
8. BANES MALE ADAPTER: 17mm 3/4" 3/4" RAIN BRD 3/4" MALE ADAPTER
9. BANES MALE ADAPTER: 17mm 3/4" 3/4" RAIN BRD 3/4" MALE ADAPTER
10. BANES MALE ADAPTER: 17mm 3/4" 3/4" RAIN BRD 3/4" MALE ADAPTER
11. BANES MALE ADAPTER: 17mm 3/4" 3/4" RAIN BRD 3/4" MALE ADAPTER
12. BANES MALE ADAPTER: 17mm 3/4" 3/4" RAIN BRD 3/4" MALE ADAPTER

MANUAL FLUSH VALVE (No. 411A)

1. FRESH GRADE/ TOP OF MULCH
2. 1/2 INCH DRAIN OUTLET. SEE PLANS FOR DRIPLINE OUTLET SPACING.
3. BANES TEE: 17x17x17mm RAIN BRD 3/4" TEE
4. BANES COUPLING: 17x17mm RAIN BRD 3/4" COUPLER
5. BANES ELBOW: 17x17mm RAIN BRD 3/4" ELBOW
6. BANES MALE ADAPTER: 17mm 3/4" 3/4" RAIN BRD 3/4" MALE ADAPTER
7. BANES MALE ADAPTER: 17mm 3/4" 3/4" RAIN BRD 3/4" MALE ADAPTER
8. BANES MALE ADAPTER: 17mm 3/4" 3/4" RAIN BRD 3/4" MALE ADAPTER
9. BANES MALE ADAPTER: 17mm 3/4" 3/4" RAIN BRD 3/4" MALE ADAPTER
10. BANES MALE ADAPTER: 17mm 3/4" 3/4" RAIN BRD 3/4" MALE ADAPTER
11. BANES MALE ADAPTER: 17mm 3/4" 3/4" RAIN BRD 3/4" MALE ADAPTER
12. BANES MALE ADAPTER: 17mm 3/4" 3/4" RAIN BRD 3/4" MALE ADAPTER

AIR RELIEF VALVE (No. 412)

1. 3/4" INCH PRESSURE-SENSITIVE RELIEF VALVE
2. 1/2 INCH DRAIN OUTLET. SEE PLANS FOR DRIPLINE OUTLET SPACING.
3. BANES TEE: 17x17x17mm RAIN BRD 3/4" TEE
4. BANES COUPLING: 17x17mm RAIN BRD 3/4" COUPLER
5. BANES ELBOW: 17x17mm RAIN BRD 3/4" ELBOW
6. BANES MALE ADAPTER: 17mm 3/4" 3/4" RAIN BRD 3/4" MALE ADAPTER
7. BANES MALE ADAPTER: 17mm 3/4" 3/4" RAIN BRD 3/4" MALE ADAPTER
8. BANES MALE ADAPTER: 17mm 3/4" 3/4" RAIN BRD 3/4" MALE ADAPTER
9. BANES MALE ADAPTER: 17mm 3/4" 3/4" RAIN BRD 3/4" MALE ADAPTER
10. BANES MALE ADAPTER: 17mm 3/4" 3/4" RAIN BRD 3/4" MALE ADAPTER
11. BANES MALE ADAPTER: 17mm 3/4" 3/4" RAIN BRD 3/4" MALE ADAPTER
12. BANES MALE ADAPTER: 17mm 3/4" 3/4" RAIN BRD 3/4" MALE ADAPTER

PRESSURE VACUUM BREAKER (No. 413)

1. PVC EXHAUST HEADER
2. PVC SCH 40 TEE OR EL (TYPICAL)
3. FLUSH PORT (TYPICAL) (SEE DETAIL THIS SHEET)
4. BANES MALE FITTING (TYPICAL)
5. BANES MALE FITTING (TYPICAL)
6. BANES MALE FITTING (TYPICAL)
7. BANES MALE FITTING (TYPICAL)
8. BANES MALE FITTING (TYPICAL)
9. BANES MALE FITTING (TYPICAL)
10. BANES MALE FITTING (TYPICAL)
11. BANES MALE FITTING (TYPICAL)
12. BANES MALE FITTING (TYPICAL)

DRIP OPERATION INDICATOR (No. 414)

NOTE: THESE DETAILS ARE PROVIDED AS A COURTESY AND CONTRACTOR SHOULD ALWAYS REFERENCE MANUFACTURER DETAILS FOR INSTALLATION INSTRUCTIONS.

EXECUTIVE DIRECTOR APPROVAL

Date: 10-25-2021 By: [Signature]

DRIP IRRIGATION NOTES:

1. INSTALL MANUAL FLUSH VALVES IN EACH ZONE AT LOW POINTS PER DETAIL NO. 411A ON SHEET 417.
2. INSTALL ONE AUTOMATIC RELIEF VALVE IN EACH SUB-SURFACE ZONE AT HIGHEST POINT PER DETAIL NO. 412 ON SHEET 417.
3. INSTALL MANUAL OPERATION INDICATORS IN EACH ZONE FOR ENDED ZONE PLACEMENT AT OPPOSITE END FROM VALVE. POSITION INDICATORS AT INTERSECTION PLACES AT EACH END OF ZONE. ALWAYS LEAVE MULTIPLE END AREAS TO PARKING LOTS. PLACE ONE INDICATOR PER END AREA. PLACEMENT SHOULD BE ACCESSIBLE BUT SHIELDED FROM PUBLIC VIEW. (SEE DETAIL NO. 414 ON SHEET 417.)
4. ALL ON-SURFACE DRIPLINE SHALL BE COVERED BY A MULCH LAYER, SAND, STYRENE AND BARRIER FABRIC EXCEPT IN AREAS OF SEASONAL LOUEN AND SURFACE SPREADING GROUNDSCOVERS.
5. ALL DRIPLINE IN ON-SURFACE INSTALLATIONS MUST BE SECURED EVERY THREE FEET USING RIBBED GALVANIZED STEEL STRAP WITH INTERVOLS EQUAL.
6. INSTALL CONTROL VALVES WITH MAXIMUM 18 INCHES BORE.

13 IRRIGATION DETAILS
SCALE: N.T.S.

TERRA ASSOCIATES, INC.
CONSULTING ENGINEERS
LANDSCAPE ARCHITECTS

1445 N. LOOP WEST - SUITE 450
HOUSTON, TEXAS 77008
713-983-0333
TBPB Registration No.: F-003832

AS OF: 8/23/21

08/21
PROJECT NO: 4004900-0
DRAWING NO: **049**

DATE: 08/21
PROJECT NO: 4004900-0
DRAWING NO: **049**

21-96-C

VALVE SCHEDULE

NUMBER	MODEL	SIZE	TYPE	GPM	DESIGN PSI	PSI	PSI @ POC	PRECIP
1	Rain Bird X CZ-100-PRF	1"	Area for Dripline	5.35	20	24.89	28.49	0.43 in/h
2	Rain Bird PEB	1-1/2"	Turf Rotary	26.76	45	52.25	58.23	0.43 in/h
3	Rain Bird X CZ-100-PRF	1"	Area for Dripline	6.51	20	25.85	30.14	0.43 in/h
4	Rain Bird PEB	1-1/2"	Turf Rotary	28.08	45	54.82	63.03	0.41 in/h
5	Rain Bird PEB	1-1/2"	Turf Spray	45.96	30	39.44	55.06	1.63 in/h
6	Rain Bird PEB	1-1/2"	Turf Spray	31.09	30	39.41	49.05	1.6 in/h
7	Rain Bird PEB	1"	Bubbler	7.00	20	26.63	31.01	1.7 in/h
8	Rain Bird PEB	1-1/2"	Turf Spray	38.35	30	39.3	49.98	1.48 in/h
9	Rain Bird PEB	1-1/2"	Turf Spray	40.69	30	39.44	50.52	1.63 in/h
10	Rain Bird PEB	1-1/2"	Turf Spray	38.89	30	36.75	46.14	1.4 in/h
11	Rain Bird PEB	1-1/2"	Turf Spray	49.02	30	36.77	49.05	0.82 in/h
12	Rain Bird PEB	1-1/2"	Turf Spray	48.10	30	38.87	54.52	0.92 in/h
13	Rain Bird PEB	1-1/2"	Turf Spray	48.86	30	37.42	52.14	0.86 in/h
14	Rain Bird X CZ-100-PRF	1"	Area for Dripline	11.77	20	34.77	39.5	0.43 in/h
15	Rain Bird PEB	1"	Bubbler	9.50	20	24.77	29.15	1.7 in/h
16	Rain Bird PEB	1"	Turf Rotary	20.21	45	49.41	54.71	0.72 in/h

WATERING SCHEDULE

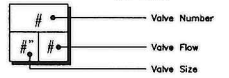
NUMBER	MODEL	TYPE	PRECIP	IN./WEEK	MIN./WEEK	GAL./WEEK	GAL./DAY
1	Rain Bird X CZ-100-PRF	Area for Dripline	0.43 in/h	0.5	70	374.5	53.5
2	Rain Bird PEB	Turf Rotary	0.43 in/h	0.5	70	1,873	267.6
3	Rain Bird X CZ-100-PRF	Area for Dripline	0.43 in/h	0.5	71	462.2	66.0
4	Rain Bird PEB	Turf Rotary	0.41 in/h	0.5	75	2,106	300.9
5	Rain Bird PEB	Turf Spray	1.63 in/h	0.5	19	873.3	124.8
6	Rain Bird PEB	Turf Spray	1.6 in/h	0.5	19	590.7	84.4
7	Rain Bird PEB	Bubbler	1.7 in/h	0.5	18	126	18
8	Rain Bird PEB	Turf Spray	1.48 in/h	0.5	21	805.3	115.0
9	Rain Bird PEB	Turf Spray	1.63 in/h	0.5	19	773.0	110.4
10	Rain Bird PEB	Turf Spray	1.4 in/h	0.5	22	855.6	122.2
11	Rain Bird PEB	Turf Spray	0.82 in/h	0.5	37	1,814	259.1
12	Rain Bird PEB	Turf Spray	0.92 in/h	0.5	33	1,587	226.8
13	Rain Bird PEB	Turf Spray	0.86 in/h	0.5	35	1,710	244.3
14	Rain Bird X CZ-100-PRF	Area for Dripline	0.43 in/h	0.5	70	823.9	117.7
15	Rain Bird PEB	Bubbler	1.7 in/h	0.5	18	171	24.4
16	Rain Bird PEB	Turf Rotary	0.72 in/h	0.5	42	849.0	121.3
TOTALS:					639	15,795	2,256

NOTE: CONTRACTOR SHALL LAMINATE A COPY OF THE ABOVE SCHEDULE AND AFFIX IT TO THE INSIDE COVER OF THE IRRIGATION CONTROLLER.

IRRIGATION SCHEDULE

SYMBOL	MANUFACTURER/MODEL/DESCRIPTION	QTY	PSI
EST LCS RCS CST SST	Rain Bird 1804-U-SAM-PRS 15 Strip Series Turf Spray 4" Pop-Up Sprinkler with Co-Molded Wiper Seal. 1/2" NPT Female Threaded Inlet. With Seal-A-Matic Check Valve. Pressure Regulating.	103	30
Q T H F	Rain Bird 1804-U-SAM-PRS U8 Series Turf Spray 4" Pop-Up Sprinkler with Co-Molded Wiper Seal. 1/2" NPT Female Threaded Inlet. With Seal-A-Matic Check Valve. Pressure Regulating.	1	30
Q T H F	Rain Bird 1804-U-SAM-PRS U10 Series Turf Spray 4" Pop-Up Sprinkler with Co-Molded Wiper Seal. 1/2" NPT Female Threaded Inlet. With Seal-A-Matic Check Valve. Pressure Regulating.	2	30
Q T H TT TO F	Rain Bird 1804-U-SAM-PRS U12 Series Turf Spray 4" Pop-Up Sprinkler with Co-Molded Wiper Seal. 1/2" NPT Female Threaded Inlet. With Seal-A-Matic Check Valve. Pressure Regulating.	8	30
Q T H TT TO F	Rain Bird 1804-U-SAM-PRS U15 Series Turf Spray 4" Pop-Up Sprinkler with Co-Molded Wiper Seal. 1/2" NPT Female Threaded Inlet. With Seal-A-Matic Check Valve. Pressure Regulating.	83	30
108HE-VAN 12HE-VAN 108E-VAN 12E-VAN	Rain Bird 1804-U-SAM-PRS HE-VAN Series Turf Spray 4" Pop-Up Sprinkler with Co-Molded Wiper Seal. 1/2" NPT Female Threaded Inlet. With Seal-A-Matic Check Valve. Pressure Regulating.	56	30
U S R LST SST NST	Rain Bird R-VAN-STRIP 1804-SAM-P45 Shrub Rotary, 5' x15' (LCS and RCS), 5' x30' (SST) Hand Adjustable Multi-Stream Rotary w/1800 turf spray body on 4" pop-up, with check valve and 45 psi in-stem pressure regulator. 1/2" NPT Female Threaded Inlet.	8	45
14 ADJ 14 F	Rain Bird R-VAN14 1804-SAM-P45 Turf Rotary, 8'-14' 45-270 degrees and 360 degrees. Hand Adjustable Multi-Stream Rotary w/1800 turf spray body on 4" pop-up, with check valve and 45 psi in-stem pressure regulator. 1/2" NPT Female Threaded Inlet.	15	45
18 ADJ 18 F	Rain Bird R-VAN18 1804-SAM-P45 Turf Rotary, 13'-18' 45-270 degrees and 360 degrees. Hand Adjustable Multi-Stream Rotary w/1800 turf spray body on 4" pop-up, with check valve and 45 psi in-stem pressure regulator. 1/2" NPT Female Threaded Inlet.	8	45
24 ADJ 24 F	Rain Bird R-VAN24 1804-SAM-P45 Turf Rotary, 17'-24' 45-270 degrees and 360 degrees. Hand Adjustable Multi-Stream Rotary w/1800 turf spray body on 4" pop-up, with check valve and 45 psi in-stem pressure regulator. 1/2" NPT Female Threaded Inlet.	37	45
1401 1402 1404 1408	Rain Bird 1800-1400 Flood 1401 Fixed flow rate (0.25-2.0GPM), full circle bubbler, 1/2" FIPT.	33	20
☐	Area to Receive Dripline Rain Bird XFS-06-18 XFS Sub-Surface Pressure Compensating Dripline w/Copper Shield Technology, 0.6 GPH emitters at 18" O.C. Laterals spaced at 18" apart, with emitters offset for triangular pattern. UV Resistant. Specify XF insert fittings.	3,539 l.f.	

SYMBOL	MANUFACTURER/MODEL/DESCRIPTION	QTY
☉	Rain Bird PEB 1", 1-1/2", 2" Plastic Industrial Valves. Low Flow Operating Capability, Globe Configuration.	13
☑	Rain Bird 33-DRC 3/4" Brass Quick-Coupling Valve, with Corrosion-Resistant Stainless Steel Spring, Thermoplastic Rubber Cover, Double Track Key Lug, and 2-Piece Body.	5
☒	Shut Off Valve	1
Ⓛ	Watts 007 2" max. flow rate is 7.5 f/s.	1
☐	Rain Bird ESP8LXME w/ (1) ESPLXMSM12 20 Station, Traditionally-Wired, Commercial Controller. (1) ESP8LXME 8-Station, Indoor/Outdoor, Plastic Wall-Mount Enclosure w/ (1) ESPLXMSM12 - 12-Station Expansion Modules.	1
Ⓜ	Rain Bird WR2-RFS Wireless Rain/Freeze Sensor.	1
Ⓜ	Water Meter 2" Reference Civil Utility Plans For Point Of Connection Location Information. 66 P.S.I. Assumed Pressure.	1
— — — — —	Irrigation Lateral Line: PVC Class 200 SDR 21	8,525 l.f.
— — — — —	Irrigation Mainline: PVC Schedule 40	1,784 l.f.
- - - - -	Pipe Sleeve: PVC Schedule 40	563 l.f.
Ⓜ	Valve Callout	



CRITICAL ANALYSIS

Generated:	2021-10-05 16:17
P.O.C. NUMBER: 01	
Water Source Information:	Reference Civil Utility Plans For Point Of Connection Location Information, 66 P.S.I. Assumed Pressure.
FLOW AVAILABLE	
Water Meter Size:	2"
Flow Available:	120.00 gpm
PRESSURE AVAILABLE	
Static Pressure at POC:	66.00 PSI
Elevation Change:	5.00 ft
Service Line Size:	3"
Length of Service Line:	20 ft
Pressure Available:	64.00 psi
DESIGN ANALYSIS	
Maximum Station Flow:	49.02 gpm
Flow Available at POC:	120.00 gpm
Residual Flow Available:	70.98 gpm
Critical Station:	4
Design Pressure:	45.00 psi
Friction Loss:	5.60 psi
Fittings Loss:	0.56 psi
Elevation Loss:	0.00 psi
Loss through Valve:	3.66 psi
Pressure Req. at Critical Station:	54.83 psi
Loss for Fittings:	0.00 psi
Loss for Main Line:	2.36 psi
Loss for POC to Valve Elevation:	0.00 psi
Loss for Backflow:	5.12 psi
Loss for Water Meter:	0.72 psi
Critical Station Pressure at POC:	63.03 psi
Pressure Available:	64.00 psi
Residual Pressure Available:	0.97 psi

EXECUTIVE DIRECTOR APPROVAL

10-25-2021 Date By *AA*

TERRA ASSOCIATES, INC. CONSULTING ENGINEERS LANDSCAPE ARCHITECTS
1445 N. LOOP WEST - SUITE 450 HOUSTON, TEXAS 77008 713-963-0333 TBPE Registration No.: F-003832

14 IRRIGATION INFORMATION SCALE N.T.S.

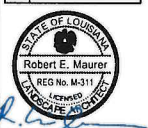
AS OF: 8/23/21



430 E. Front St. Tyler, TX 75702 903-579-0500

NEW BUILDING & FUEL STATION Brookshire's #049 SHREVEPORT, LOUISIANA NORRIS FERRY

NO.	DATE	REVISION DESCRIPTION

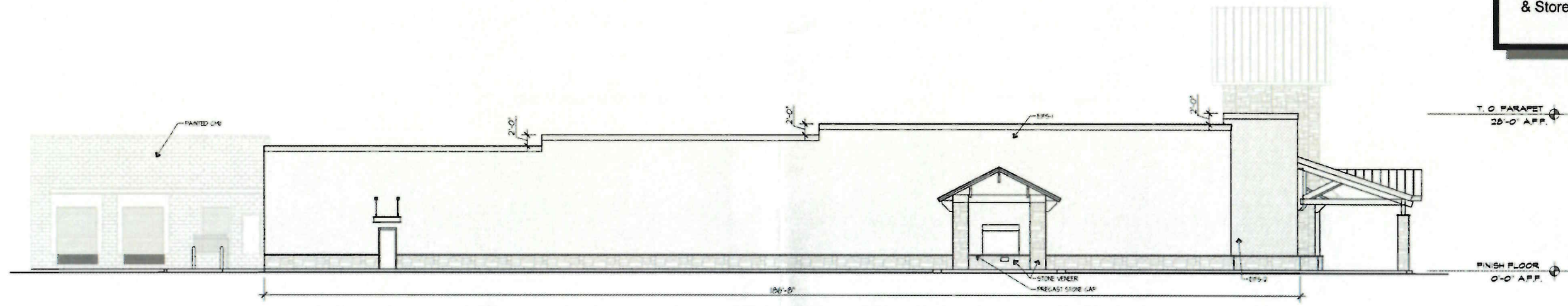


ISSUED FOR:
<input type="checkbox"/> PRELIMINARY
<input type="checkbox"/> REVIEW
<input type="checkbox"/> PERMIT
<input type="checkbox"/> BIDDING
<input type="checkbox"/> CONSTRUCTION

08/21 PROJECT NO. 4004900-0 SHEET NO. 049

21-96-C

Legend	
EIFS-1	
EIFS-2	
Stone Veneer	
Metal Roof, Trim & Storefront	



Left Side Elevation



Front Elevation

**EXECUTIVE
DIRECTOR
APPROVAL**

10.25.2021
Date *AA*
By

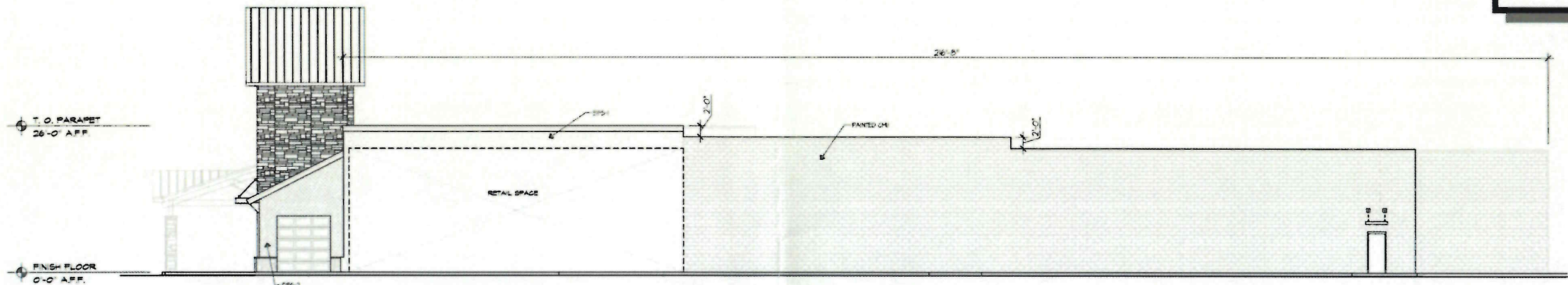
Brookshire's Grocery Company
At Norris Ferry Road
Shreveport, Louisiana

2/23/21
version R1

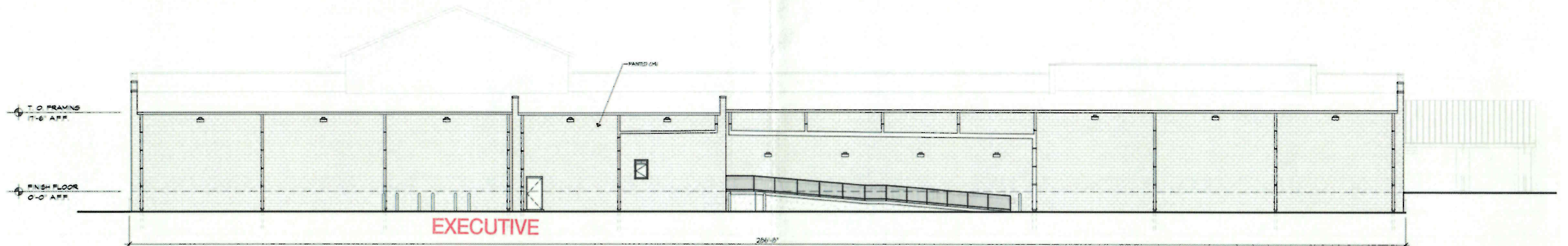


21-96-C

Legend	
EIFS-1	
EIFS-2	
Stone Veneer	
Metal Roof, Trim & Storefront	



Right Side Elevation



Rear Elevation

EXECUTIVE
DIRECTOR
APPROVAL

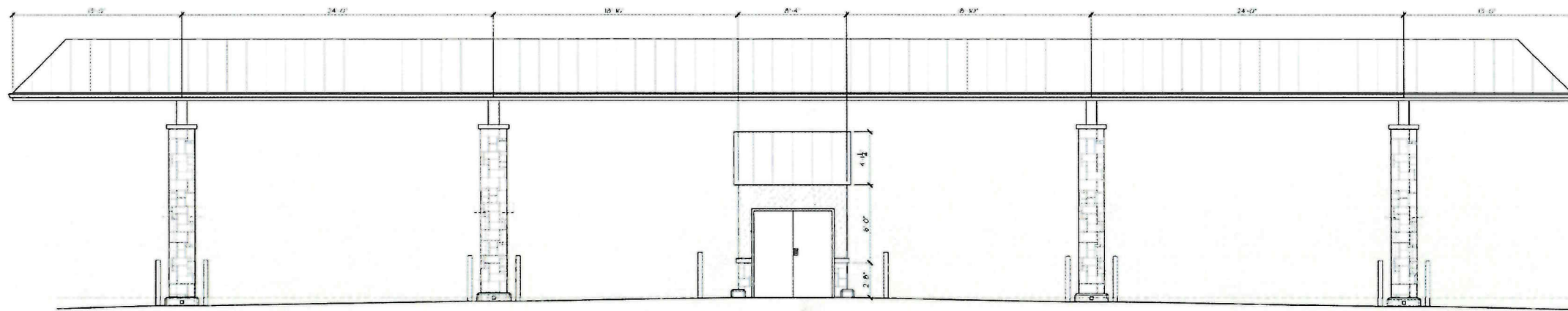
10.25.2021 *Ac Chl*
Date By

Brookshire's Grocery Company
At Norris Ferry Road
Shreveport, Louisiana

2/23/21
version R1



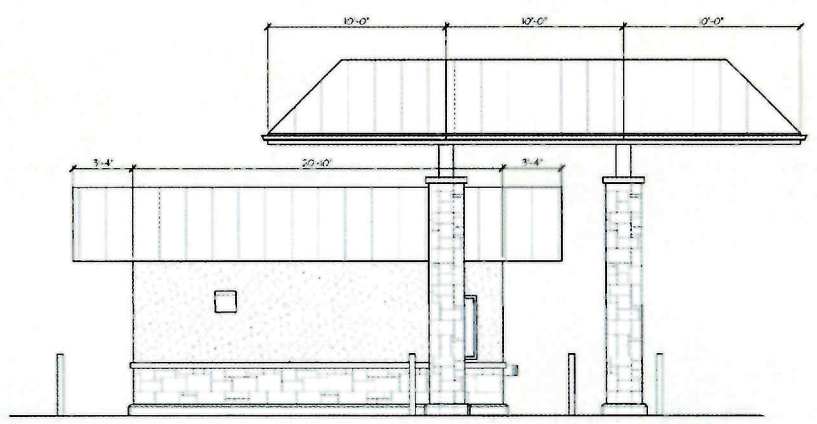
21-96-C



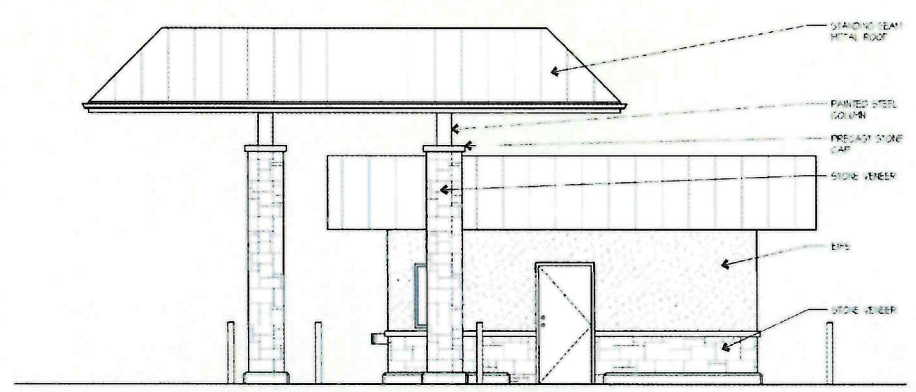
Rear Elevation

Legend

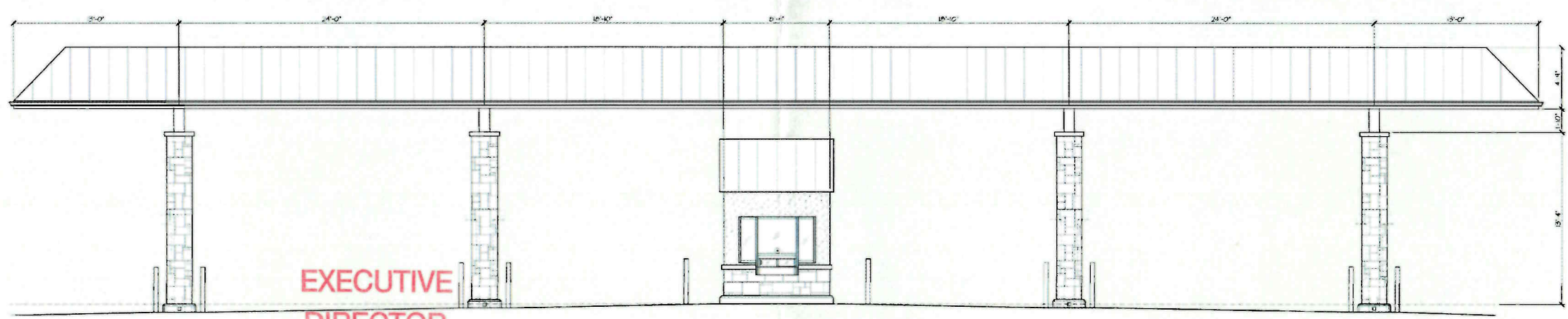
- EIFS-1
- Stone Veneer
- Metal Roof, Trim & Storefront



Left Side Elevation



Right Side Elevation



Front Elevation

**EXECUTIVE
DIRECTOR
APPROVAL**

10.25.2021 *ACL*
Date By

Brookshire's Grocery Company
At Norris Ferry Road
Shreveport, Louisiana

2/23/21
version R1



21-96-C



Brookshire's
food & pharmacy

EXECUTIVE
DIRECTOR
APPROVAL

10.25.2021
Date

AA
By

Brookshire's Grocery Company
At Norris Ferry Road
Shreveport, Louisiana

2/23/21
version R1

ARCONS
DESIGN
STUDIO
architecture planning interiors

21-96-C



Brookshire's
food & pharmacy

EXECUTIVE
DIRECTOR
APPROVAL

16-25-2021
Date

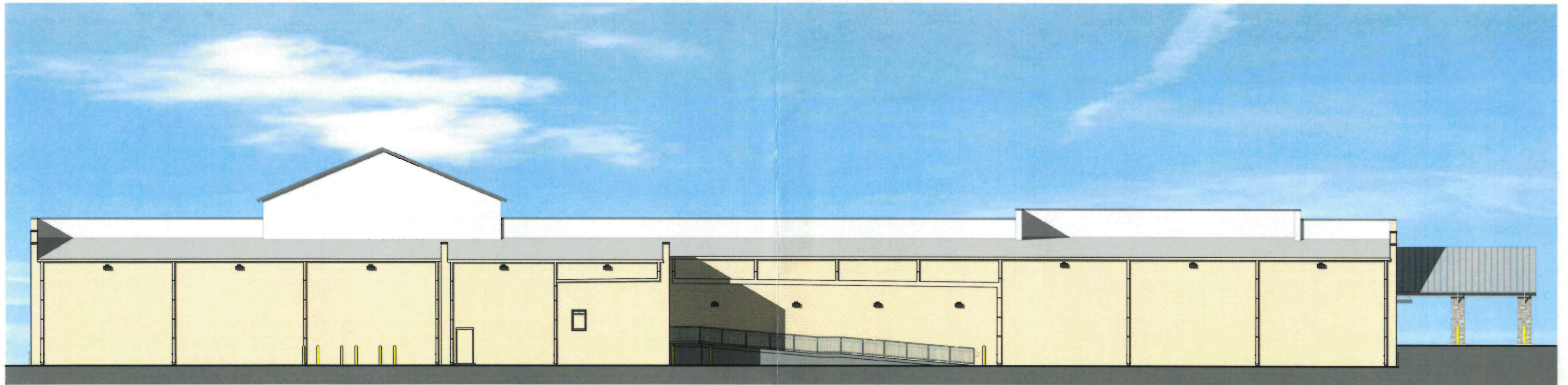
AA
By

Brookshire's Grocery Company
At Norris Ferry Road
Shreveport, Louisiana

2/23/21
version R1

ARCONS
DESIGN
STUDIO
architecture planning interiors

21-96-C



EXECUTIVE
DIRECTOR
APPROVAL

10-21-2021
Date By *AA*

Brookshire's
food & pharmacy

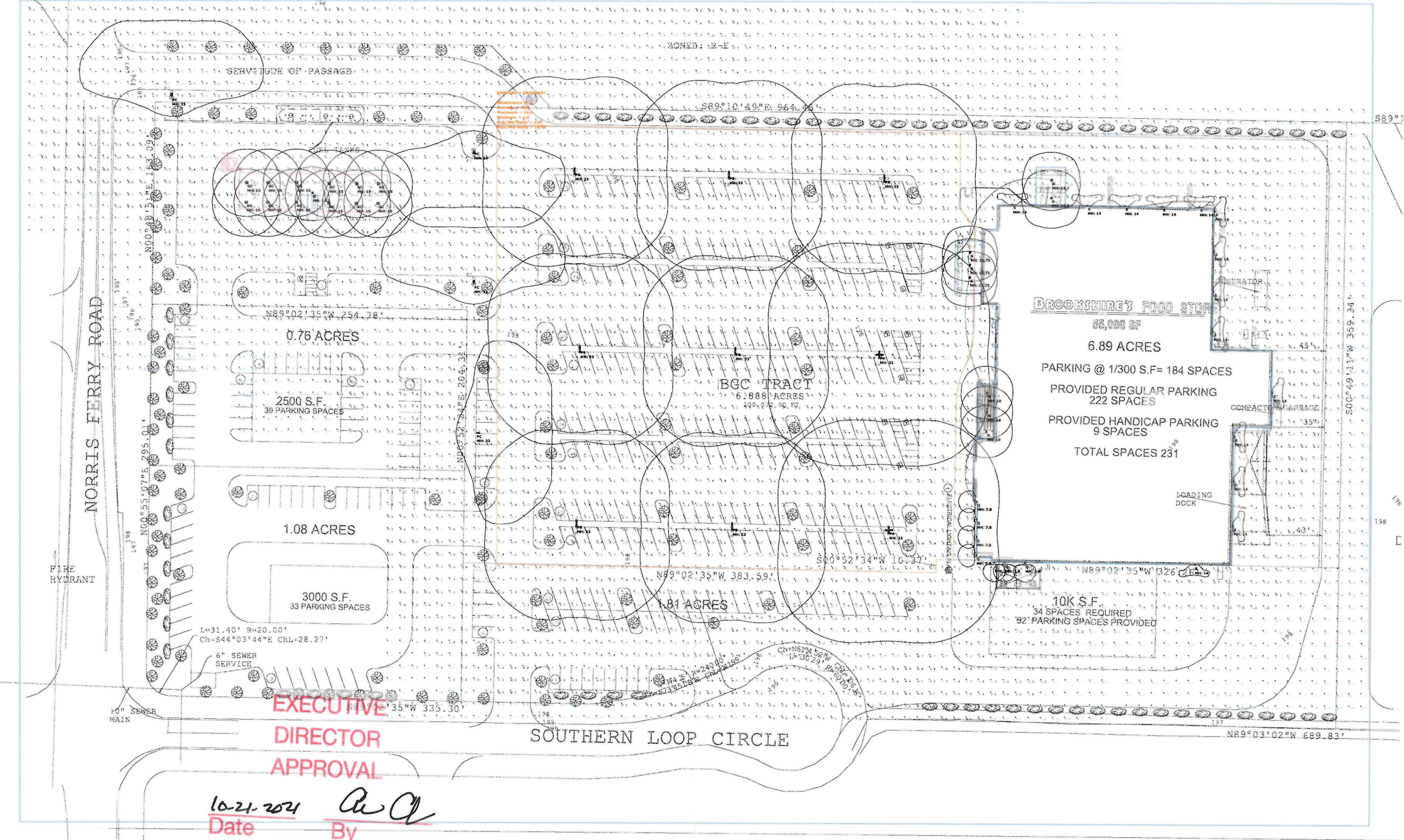
Brookshire's Grocery Company
At Norris Ferry Road
Shreveport, Louisiana

2/25/21
version R1

ARCONS
DESIGN
STUDIO
architecture · planning · interiors

21-96-C

FIRE HYDRANT
WATER MAIN



10-21-2024
Date By *AC*

Symbol	Type	Qty	Manufacturer / Catalog Number	Total Lumen Output	Total Input Watts	Ballast Factor	Light Loss Factor	User Defined Factor
H	G	6	BEIP VR21-G-48L-QT-50K	7524	55	1.000	0.850	1.000
D	GC	12	TECH LIGHT L2PC-R-CW-G-M-1-FINISH	15981	145	1.000	0.850	1.000
N	N	3	BEIP VL6L8-B-56L-QT-50K	7077	55.55	1.000	0.850	1.000
PA	PA	2	LITHONIA DSX2 LED P3 40K TSM MVOLT RPA DOBKD DM49AS 30' POLE + 3' BASE	117324	888	1.000	0.850	1.000
PB	PB	7	LITHONIA DSX2 LED P4 40K TSM MVOLT RPA DOBKD DM28AS 30' POLE + 3' BASE	69320	540	1.000	0.850	1.000
PC	PC	4	LITHONIA DSX2 LED P4 40K TSM MVOLT RPA DOBKD DM19AS 30' POLE + 3' BASE	32432	270	1.000	0.850	1.000
Q	Q	7	ECLIPSE BSC-ST-ML-2-LEH-4K-ROCK-HV-0019 IMOD FROM BROWNLEE 7329-H41-40K	2341	41.11	1.000	1.000	1.000
S	S	14	LITHONIA WDG2 LED P2 40K 80CRI T3M MOUNT FINISH	2062	18.9815	1.000	0.850	1.000

Calculation Grid Location	Calc. Height (Ft.)	Units	Avg	Max	Min	Avg/Min
GAS STATION	Fc	Fc	29.78	36.9	20.4	1.44
PARKING + DRIVEWAY	Fc	Fc	3.95	16.9	1.6	2.47

Notes:
 1. Surface reflectances: Vertical/Horizontal - 50/20
 2. Calculation values are as height indicated in summary table.
 3. Mounting heights are designed on drawing with "95L"
 4. Luminaire description does not necessarily reflect specification model number. Contact salesperson for verification.
 5. Spreadsheets data used unless otherwise noted. LED luminaires use registered photometric data provided by manufacturer.
 6. Lighting power density is calculated based on estimated ballast/transformer energy consumption. Engineer to verify.
 7. For luminaire output of ballast luminaires, multiply Total Lumen Output by User Defined Factor.

PROJECT: BROOKSHIRES 049 SITE
 SALES/PERSON: BLISTY 04TH
 SCALE: 1" = 30'-0"
 CALC BY: AK
 FILE: 211018_BROOKSHIRES 049 SITE_V1

Architectural Lighting Alliance
 101 Turtle Creek Blvd., Dallas TX 75207
 O 214-458-9000 | F 214-458-9002
 www.ala.com

21-96-C

LED MULTI-PURPOSE LIGHT (XPG)



US patent D603081 & D611188 & 7828456 and US & Int'l. patents pending

EXPECTED LIFE - Minimum 60,000 hours to 100,000 hours depending upon the ambient temperature of the installation location. See LSI web site for specific guidance.

LEDS - Two LED array choices; 50 and 68. Select high-brightness LEDs. 5300°K color temperature (nominal), 70 CRI nominal.

DISTRIBUTION/PERFORMANCE - Types 5 and S. Excellent uniformity projects light out to illuminate wheel stops and dark corners.

HOUSING/OPTICAL UNIT - The XPG features a slim 4-11/16" profile. Housing is die-formed aluminum with a gasketed clear tempered glass lens providing a water-resistant seal. Weather-tight aluminum enclosure contains factory prewired driver to ensure no water entry.

MOUNTING - Standard mounting is rigid 3/4" pendant mount or direct surface mount to 4" (102mm) octagon box (box by others). Optional mounting of a hook, cord and plug assembly with 3' cord. Optional mountings require specific voltage and are wired at factory. Pendant and direct mount standard with 48" leads and 8" leads respectively. Direct mount features standard quick mount plate with elongated key hole slots to allow alignment of fixtures.

ELECTRICAL - Universal voltage power supply (120-277 VAC, 50/60 Hz).

DRIVER - State-of-the-art driver technology designed specifically for LSI LED light sources provides unsurpassed system efficiency. Driver will operate with input of 120V thru 277V (50/60 Hz). Components are fully encased in potting material for moisture resistance. Driver complies with IEC and FCC standards.

OPERATING TEMPERATURE - -40°C to +50°C (-40°F to +122°F).

FINISH - Each fixture is finished with LSI's DuraGrip® polyester powder coat finishing process. The DuraGrip finish withstands extreme weather changes without cracking or peeling, and is guaranteed for five full years. Standard colors include black, white, and metallic silver.

WARRANTY - LSI LED fixtures carry a limited 5-year warranty.

PHOTOMETRICS - Application layouts are available upon request. Contact LSI Applications Group at lighting.apps@lsi-industries.com

SHIPPING WEIGHT - 14 lbs. (6.35kg)

LISTING - Listed to U.S. and International safety standards. Suitable for wet locations.

EXECUTIVE
DIRECTOR
APPROVAL

16-21-2014
Date By *AC*

LIGHT OUTPUT			
Description	# of LEDs	Lumens	Watts
Cool White			
XPG 5	50	3789	59
XPG S	50	5225	59
XPG 5	68	4815	79
XPG S	68	6224	79
350mA Drive Current			

This product, or selected versions of this product, meet the standards listed below. Please consult factory for your specific requirements.



Project Name _____ Fixture Type _____
Catalog # _____

05/02/16
© 2016
LSI INDUSTRIES INC.

21-96-C

LED MULTI-PURPOSE (XPG)

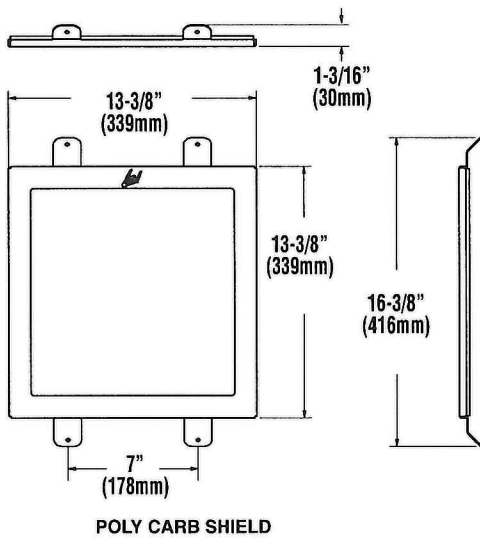
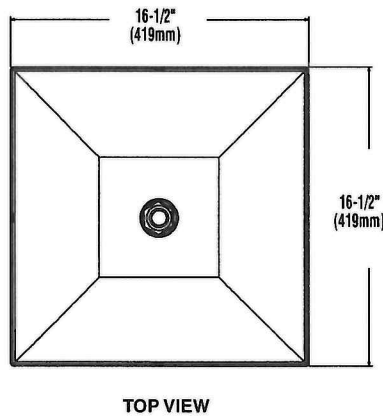
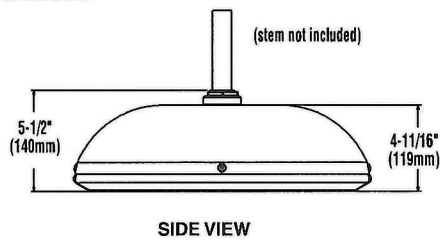
PRODUCT ORDERING INFORMATION

TYPICAL ORDER EXAMPLE: **XPGD S LED 50 CW UE MSV**

Prefix	Distribution	Light Source	Qty. LED's	Color Temp.	Line Voltage	Finish	Options
XPGD - Direct XPGP - Pendant	S - Symmetrical 5 - IES Type V	LED - Light Emitting Diode	50 68	CW - Cool White (5300° K nom.)	UE - Universal Electronic (120-277)	WHT - White BLK - Black MSV - Metallic Silver	HCPXXX' HCP120 HCP208 HCP240 HCP277 ACCESSORIES BG - Bird Guard XPG PCS - Polycarb Shield

1- Must specify voltage as fixture will be wired to specific voltage at factory.

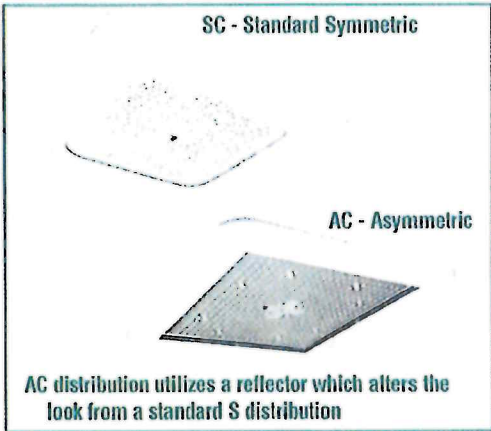
DIMENSIONS



Project Name _____ Fixture Type _____
 Catalog # _____

05/02/16
 © 2016
 LSI INDUSTRIES INC.

LED CANOPY LIGHT - LEGACY™ (CRU)



DOE LIGHTING FACTS

Department of Energy has verified representative product test data and results in accordance with its Lighting Facts Program. Visit www.lightingfacts.com for specific catalog strings.

US & Int'l. patents pending.

HOUSING - Low profile, durable die-cast, aluminum construction, providing a reliable weather-tight seal.

LEDS - Select, mid-power, high brightness, LED chips; Cool White 5000K color temperature, 70 CRI (nominal).

DRIVE CURRENT - Choice of High Output (HO) or Very High Output (VHO).

OPTICS / DISTRIBUTION - Choice of Symmetrical or Asymmetrical, which directs light through a clear tempered glass lens, to provide a uniform distribution of light to vertical and horizontal surfaces.

OPTICAL UNIT - Features an ultra-slim 3/4" profile die cast housing, with a flat glass lens. Unit is water-resistant, sealed to an IP67 rating. Integral designed heat sink does not trap dirt and grime, ensuring cool running performance over the life of the fixture.

PRESSURE STABILIZING VENT - Luminaire assembly incorporates a pressure stabilizing vent breather to prevent seal fatigue and failure.

HAZARDOUS LOCATION - Designed for lighter than air fuel applications. Product is suitable for Class 1 Division 2 only when properly installed per LSI installation instructions.

DRIVER - State-of-the-art driver technology superior energy-efficiency and optimum light output. LSI driver components are fully encased in potting for IP65 moisture resistance. Complies with IEC and FCC standards. Surge protected at 10KV. 0-10 V dimming supplied standard with all drive currents.

DRIVER HOUSING - Die cast aluminum, wet location rated driver/electrical enclosure is elevated above canopy deck to prevent water entry, provide easy "knock-out" connection of primary wiring and contributes to attaining the lowest operating temperatures available. Seals to optical housing via one-piece molded silicone gasket.

OPERATING TEMPERATURE - -40°C to 50°C (-40°F to +122°F)

ELECTRICAL - Universal voltage power supply, 120-277 VAC, 50/60 HZ Input. LSI drivers feature two-stage surge protection (including separate surge protection built into electronic driver) meets IEEE C62.41.2-2002, Scenario 1, Location Category C.

FINISH - Standard color is white and is finished with LSI's DuraGrip polyester powder coat process. DuraGrip withstands extreme weather changes without cracking or peeling.

INSTALLATION - One person installation. No additional sealant required. Installs in a 12" or 16" deck pan. Deck penetration consists of a 4" hole, simplifying installation and water sealing. Unit is designed to quickly retrofit into existing Scottsdale (4") hole as well as openings for Encore and Encore Top Access and to reconnect wiring for the SC/ECTA without having to relocate the conduit. Retro panels are available for existing Encores (see back page) as well as kits for recessed and 2x2 installations (see separate spec sheets). Support brackets are provided standard, to prevent sagging of deck.

SHIPPING WEIGHT - 25 pounds (single pack), 50 pounds (double pack).

EXPECTED LIFE - Minimum 60,000 to 100,000 hours depending upon the ambient temperature of the installation location. See LSI web site for specific guidance.

WARRANTY - Limited 5-year warranty.

LISTING - UL and ETL listed to UL 1598, UL 8750 and other U.S. and International safety standards. Suitable for wet locations.

PHOTOMETRICS - Applications layouts are available upon request. Contact LSI Petroleum Lighting or petroleum.apps@lsi-industries.com

Class 1, Division 2 – Standard on HO only

T5 Temperature Classification – The surface temperature of this product will not rise above 100°C., within a 40°C ambient.

Gas Groups A,B,C, and D – Group A: Acetylene / Group B: Hydrogen / Group C: Propane and Ethylene / Group D: Benzene, Butane, Methane & Propane.

This product, or selected versions of this product, meet the standards listed below. Please consult factory for your specific requirements.



Project Name Brookshire's/Super 1 Foods Fixture Type Canopy LED
 Catalog # CRU-SC-LED-HO-CW-UE-WHT with kit # 525946

05/28/15

© 2014
 LSI INDUSTRIES INC.

21-96-C

LED CANOPY LIGHT - LEGACY™ (CRU)

LUMINAIRE ORDERING INFORMATION

TYPICAL ORDER EXAMPLE: **CRU SC LED HO CW UE WHT**

Prefix	Distribution ¹	Light Source	Drive Current	Color Temperature	Input Voltage	Finish	Options
CRU	SC - Standard Symmetric AC - Asymmetric	LED	HO - High Output VHO - Very High Output	CW - Cool White (5000K)	UE - Universal Voltage (120-277V) 347-480V ²	WHT - White BRZ - Bronze BLK - Black	2L - Bi-Level Switching ³

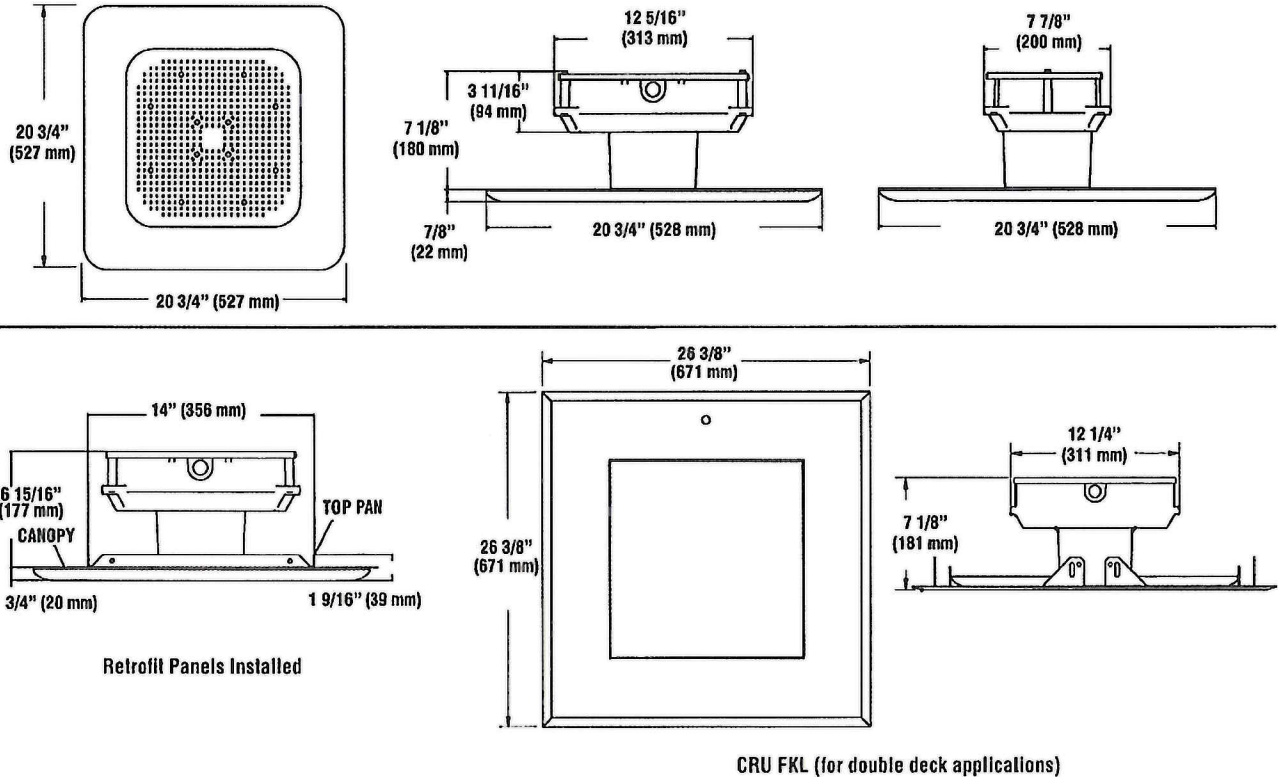
FOOTNOTES:

- 1- AC distribution utilizes a reflector which alters the look from a standard S distribution.
- 2- 347V only available in HO drive current.
- 3- Bi-Level available on "HO" drive current only. It provides a manually operated, 2 position toggle switch to permit switching from "HO" (high) to 50% of power (low) drive currents.

ACCESSORY ORDERING INFORMATION (Accessories are field installed)

Description	Order Number	Description	Order Number
Retrofit Panels - EC / ECTA / SCF to CRU, for 16" Deck Panel	525946	Kit - Hole Plugs and Silicone (enough for 25 retrofits) ¹	1320540
Retrofit Panels - ECTA / SCF to CRU, for 12" Deck Panel	530281	CRU FKL - Flange Kit ²	537530WHT
Retrofit 2x2 Cover Panel Blank (no holes)	357282	1- Consists of (25) 7/8" hole plugs and (1) 10.3 oz tube of RTV	
Retrofit RIC Cover Panel Blank (no holes)	354702	2- Flange Kit used to mount CRU in double deck applications	

DIMENSIONS



Retrofit Panels Installed

CRU FKL (for double deck applications)

LIGHT OUTPUT - CRU

		Lumens	Watts	LPW
		SC	SC	SC
Cool White	HO - High Output	18,000	140	129
	VHO - Very High Output	21,900	164	134



Project Name Brookshire's/Super 1 Foods Fixture Type Canopy LED
 Catalog # CRU-SC-LED-HO-CW-UE-WHT with kit # 525946

05/28/15
 © 2014
 LSI INDUSTRIES INC.

LED SOFFIT LIGHT (XSL2)



US patents D574994 & D595896 & 7828456 and US & Int'l. patents pending

EXPECTED LIFE - Minimum 60,000 hours to 100,000 hours depending upon the ambient temperature of the installation location. See LSI web site for specific guidance.

LEDS - Select high-brightness LEDs. Cool White 5000°K color temperature, 69 CRI (nominal).

DRIVER CURRENT - Super saver (SS) - most economical and highest lumens per watt or High Output (HO) - highest output per initial dollar.

DISTRIBUTION/PERFORMANCE - Type S (Symmetric) or 5A (Type 5). Excellent uniformity with Bug rating of BU-UO-G1. Optional diffused lens available to reduce visibility of diodes

HOUSING/OPTICAL UNIT - Housing is die-formed aluminum with a gasketed clear tempered glass lens providing a water-resistant seal. Weather-tight aluminum enclosure contains factory prewired driver to ensure no water entry. Sealed optical unit containing LEDs rated IP67.

MOUNTING - Direct mounts with screws through the trim frame (standard). Optional channel bar kit available to suspend assembly from ceiling joists. 12" clearance required for ease of installation.

ELECTRICAL - Universal frequency power supply (50/60 Hz). Supply voltage must be specified for pre-wired thermal protectors.

DRIVER - State-of-the-art driver technology designed specifically for LSI LED light sources provides unsurpassed system efficiency. Driver will operate with input of 120/208/240/277V (50/60 Hz). Components are fully encased in potting material for moisture resistance. Driver complies with IEC and FCC standards.

OPERATING TEMPERATURE - -40°C to +50°C (-40°F to +122°F).

FINISH - Each fixture is finished with LSI's DuraGrip® polyester powder coat finishing process. The DuraGrip finish withstands extreme weather changes without cracking or peeling, and is guaranteed for five full years. Standard color is white.

WARRANTY - LSI LED fixtures carry a limited 5-year warranty.

PHOTOMETRICS - Application layouts are available upon request. Contact LSI Applications Group at lighting.apps@lsi-industries.com

LISTING - Listed to U.S. and Canadian safety standards. Suitable for damp locations.

Crossover® LED Lighting

lighting facts^{CM}

A Program of the U.S. DOE

Light Output (Lumens)	4957
Watts	62.2
Lumens per Watt (Efficacy)	79

Color Accuracy	69
Color Rendering Index (CRI)	

Light Color
Correlated Color Temperature (CCT)

5100 (Daylight)

2700K 3000K 4500K 6500K

Warm White Bright White Daylight

All results are according to IESNA LM-79-2008: *Approved Method for the Electrical and Photometric Testing of Solid-State Lighting*. The U.S. Department of Energy (DOE) verifies product test data and results. Products qualified under the DOE ENERGY STAR® program have the ENERGY STAR mark on this label.

Visit www.lightingfacts.com for the *Label Reference Guide*.

Registration Number: KGGN-EDE2GE
Model Number: XSL2-S-LED-50-CW-UE
Type: Surface and pendant-mounted downlights

This "Lighting Facts Label" represents LSI's commitment, through participation in the Department of Energy's SSL Quality Advocates program, to accurately report performance criteria of our LED fixtures. **This label represents a single test of a single fixture. Input power below represents rated values for the family.** Color temperature and lumen output for each variation of this Crossover® fixture can be found in the ordering information below as well as at www.lightingfacts.com.

LIGHT OUTPUT - XSL2				
	Clear Lens	Lumens	Watts	LPW
Type S	SS - Super Saver	6,193	60	103
	HO - High Output	8,348	86	97
Type 5A	SS - Super Saver	5,158	60	86
	HO - High Output	6,959	86	81
Diffused Lens				
Type S	SS - Super Saver	5,752	60	96
	HO - High Output	6,751	87	78
Type 5A	SS - Super Saver	4,393	60	73
	HO - High Output	5,842	87	67

This product, or selected versions of this product, meet the standards listed below. Please consult factory for your specific requirements.



21-96-C

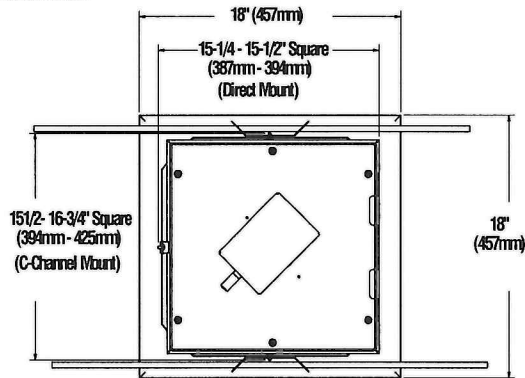
LED SOFFIT LIGHT (XSL2)

PRODUCT ORDERING INFORMATION

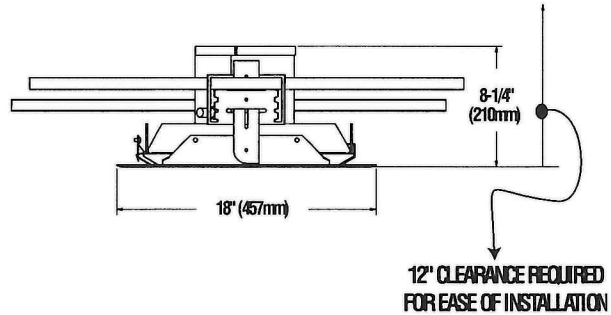
TYPICAL ORDER EXAMPLE: **XSL2 S LED 50 SS CW 120 WHT CMT**

Prefix	Distribution	Light Source	# of LEDs	Drive Current	Color Temperature	Input Voltage	Finish	Options
XSL2 - Soffit Light	S - Symmetric 5A - Type 5	LED	50	HO - High Output SS - Super Saver	CW - Cool White (5000° K nom.)	120 208 240 277 347	WHT - White	CMT - Channel Bar Mounting Kit DM - Direct Mount DFL - Diffused Lens

DIMENSIONS

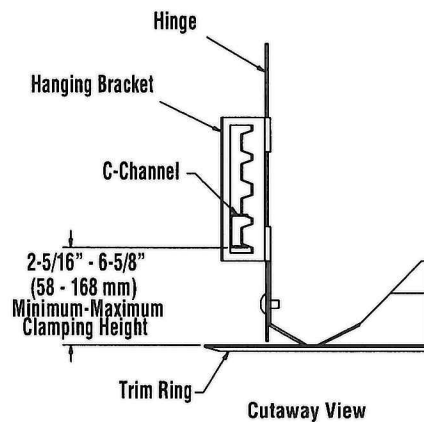


TOP VIEW



SIDE VIEW
(Channel Mount Shown)

SHIPPING WEIGHT - 14 lbs. (6.4kg)



Cutaway View

Architectural Emergency

Patron LED Series
Die-Cast Aluminum
LED Wall Light/Unit



Specifier's Reference

Project
Type
Model No.
Comments

codes and standards

- ETL Listed to UL924 Standard
- ETL Listed to UL1598 for wet locations
- NFPA 70 (National Electric Code)
- NFPA 101 (Life Safety Code)
- "ARRA" Buy American Compliant (when -BAC suffix is specified)
- ADA Compliant
- LM-79 Compliant
- LM-80 Compliant

construction

- Marine grade die cast aluminum housing with mirror reflector to provide excellent photometrics. UV Stable polycarbonate lens and neoprene gasket to protect from moisture and rain.
- Polyester powder coat for superior protection. Choice of white or dark bronze. Consult factory for custom finishes.

installation

- Universal J-box pattern on back or rigid conduit entry on top of housing for mounting flexibility

electronics

- The charger system includes low voltage disconnect to prevent deep discharge of battery. AC lockout to prevent battery drain prior to the energizing of utility power, and brownout protection which will automatically switch unit into emergency mode if the utility power sags below 80% of nominal. Solid-state, fully automatic charging circuit is protected with a moisture resistant coating. All units are provided with Self-Test/Self Diagnostics.
- 120/277VAC dual voltage input, selectable input.
- Patron LED available in AC only, Emergency only, and AC with integral ni-cad battery operation may be switched on or off to operate as a mini wall light providing 740 lumens in AC mode. AC with integral ni-cad battery and emergency only will provide 500 lumens in emergency mode.
- self-diagnostic/self-test

This feature provides automatic testing and continuous monitoring of the unit and indicates any faults via a dual-color LED lamp. The low-profile test button with easily visible status indicator is located beneath the lens.

This innovative circuitry monitors battery disconnection, charger failure, lamp failure and transformer fault every 5 seconds without

discharging the battery or illuminating the lamps. It will automatically indicate lamp, battery, and charger status by dual-color LED lamp.

The LED lamp indicator shows the following status:

- Green - ON: Unit is ready.
- Blinking: Unit is self-testing.
- Red - Service Alert (see fault indications)

Fault Indications: (Red LED lamp indicator)

- One blink ON/pause 4 seconds: Battery not connected.
- Two blinks ON/pause 4 seconds: Battery is shorted or battery voltage drops below the accepted value.
- Three blinks ON/pause 4 seconds: Charger board circuit fault.
- Four blinks ON/pause 4 seconds: Transformer fault.
- Five blinks ON/pause 4 seconds: Lamp fault.

The unit will automatically initiate a self-test as follows:

- One minute self-test each month.
- 30 minute self-test on the 6th month following installation.
- 90 minute self-test on the 12th month following installation.

Manual testing of the unit can be accomplished by pressing the test button as follows:

- Once - 1 minute test
- Twice - 5 minute test
- Three - 30 minute test
- Four - 90 minute test

lamps

- 8-3W LED lamps provide 700 lumens in the AC mode and provide 500 initial lumens in the emergency mode. Color temperature is 4500K and provides over 50,000 hours of life in normal usage.

battery

- AC with integral ni-cad battery and emergency units contain a 6V maintenance free sealed nickel cadmium battery with an expected service life of 8-12 years and an operating temperature of -4°F (20°C) to 122°F (50°C). Units with a battery provide a minimum of 90 minutes emergency illumination. Units with a heater will operate in temperatures as low as -20°F (-29°C).

warranty

- Five full year warranty on units

Green Product Choice: PLEMBZ-BAC

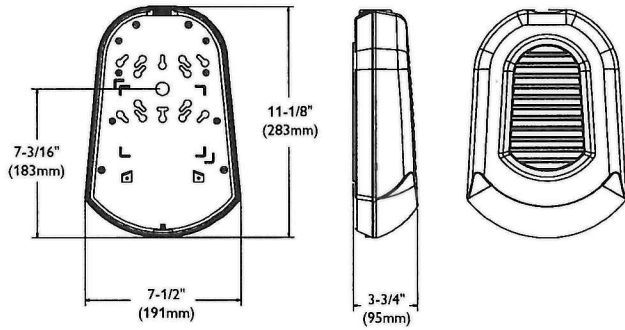
Catalog Number	Operation	Volts	LED	Housing Finish	Lamp Type	Accessories (order separately)
PLACBZ	AC only	6	8-3W	Dark Bronze	700 Lumen Output	PLHTR Patron Heater Kit
PLACW	AC only	6	8-3W	White	700 Lumen Output	WG4 Wire Guard
PLEMBZ	EM only	6	8-3W	Dark Bronze	500 Lumen Output	Option
PLEMW	EM only	6	8-3W	White	500 Lumen Output	BAC Buy American Compliant
PLACEMBZ*	AC/EM	6	8-3W	Dark Bronze	700/500 Lumen Output	
PLACEMW*	AC/EM	6	8-3W	White	700/500 Lumen Output	
PLACBZ-BAC	AC only	6	8-3W	Dark Bronze	700 Lumen Output	
PLACW-BAC	AC only	6	8-3W	White	700 Lumen Output	
PLACB-BAC	AC only	6	8-3W	Black	700 Lumen Output	
PLACTT-BAC	AC only	6	8-3W	Titanium	700 Lumen Output	
PLACCC-BAC**	AC only	6	8-3W	Custom Color	700 Lumen Output	
PLEMBZ-BAC	EM only	6	8-3W	Dark Bronze	500 Lumen Output	
PLEMW-BAC	EM only	6	8-3W	White	500 Lumen Output	
PLEMB-BAC	EM only	6	8-3W	Black	500 Lumen Output	
PLEMTT-BAC	EM only	6	8-3W	Titanium	500 Lumen Output	
PLEMCC-BAC**	EM only	6	8-3W	Custom Color	500 Lumen Output	
PLACEMBZ-BAC*	AC/EM	6	8-3W	Dark Bronze	700/500 Lumen Output	
PLACEMW-BAC*	AC/EM	6	8-3W	White	700/500 Lumen Output	
PLACEMB-BAC*	AC/EM	6	8-3W	Black	700/500 Lumen Output	
PLACEMTT-BAC*	AC/EM	6	8-3W	Titanium	700/500 Lumen Output	
PLACEMCC-BAC**	AC/EM	6	8-3W	Custom Color	700/500 Lumen Output	

*AC mode for general lighting with an integral nicad battery for emergency illumination.
**Must provide RAL# for custom color.

PHILIPS
CHLORIDE

21-96-C

dimensions



photometrics

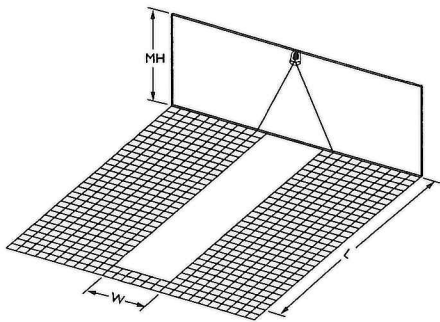
Meets Life Safety Code standard minimum illuminance of 0.1 FC and average illuminance of 1.0 FC. Indoor performance based on 80/50/20 reflectance and assumes open space with no obstructions. Refer to charts for mounting height. Add 1' to mounting height for ceiling height. Outdoor performance based on 0/30/10 reflectance. Analysis based on independently tested photometrics.

Reflectance
Indoor: 80/50/20
Outdoor: 0/30/10

Test No.: 29358

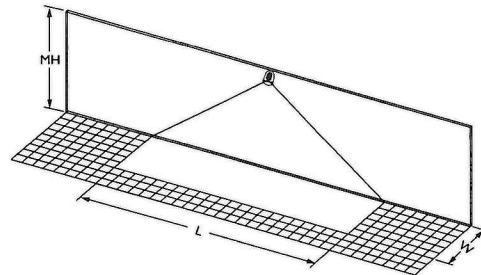
Single Unit Forward Path of Egress

	MH	W	L	Average Footcandle
	Mounting Height	Path of Egress		
		Width	Length	
Outdoor	10'	6'	24'	2.35
	12'	6'	27'	1.78
	14'	6'	37'	1.11



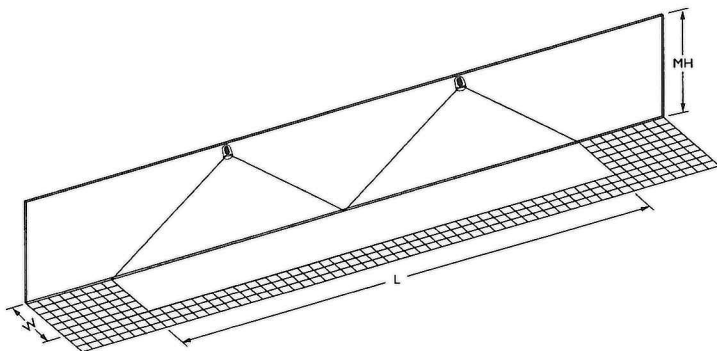
Single Unit

	MH	W	L	Average Footcandle
	Mounting Height	Path of Egress		
		Width	Length	
Indoor	9'	10'	41'	1.22
	11'	6'	43'	1.25
Outdoor	9'	10'	39'	1.83
	11'	6'	41'	1.20



Two Units Center-to-Center Spacing

	MH	W	L	Average Footcandle
	Mounting Height	Path of Egress		
		Width	Length	
Indoor	8'	6'	49'	1.76
	11'	6'	62'	1.04
	11'	10'	47'	1.07
	14'	6'	54'	1.17
Outdoor	9'	6'	43'	1.55
	11'	6'	55'	1.00
	14'	6'	40'	1.14



©2012 Philips Day-Brite
All rights reserved. Revised June 2011.

776 South Green Street • Tupelo, MS 38804
p. 800.234.1890 • f. 662.841.5501
Canadian Division
189 Bullock Drive • Markham, Ontario L3P 1W4
p. 905.294.9570 • f. 905.294.9811

Contact Factory for Additional Configurations.
Specifications are subject to change without notice.

CAMBRIDGE LED SERIES

Cambridge LED Wall Sconce features a Luminous Diffuser in Acrylic, Decorative Square Bar Design with Ball Accent, ADA Compliant

Catalog #		Type
Project		
Comments		Date
Prepared By		

EVERGREEN LIGHTING

SPECIFICATION FEATURES

Material

Aluminum Square Bar construction slotted and milled for high quality appearance, standard powdercoat finish, P95 white frosted acrylic half cylinder lens, .125 thick, with top and bottom lens or solid metal top

LED

Alta #AL-R-1W-30 LED array to be mounted onto an Aluminum MPCB Board configured to the proper wattage. The LED arrays will be centered within the Lens area and mounted on a decorative white aluminum reflective plate.

Installation

Supplied with standard mounting hardware to mount to a 4" J-box or plaster ring

Driver

Specific Drivers will be matched with each different LED array configuration/wattage. Standard Driver features are:

Optics

Evergreen Lighting Website for complete photometrics.

- Constant Current
- 3 or 5 year warranty
- 120/277 multi-voltage power supplies
- IP66, IP67



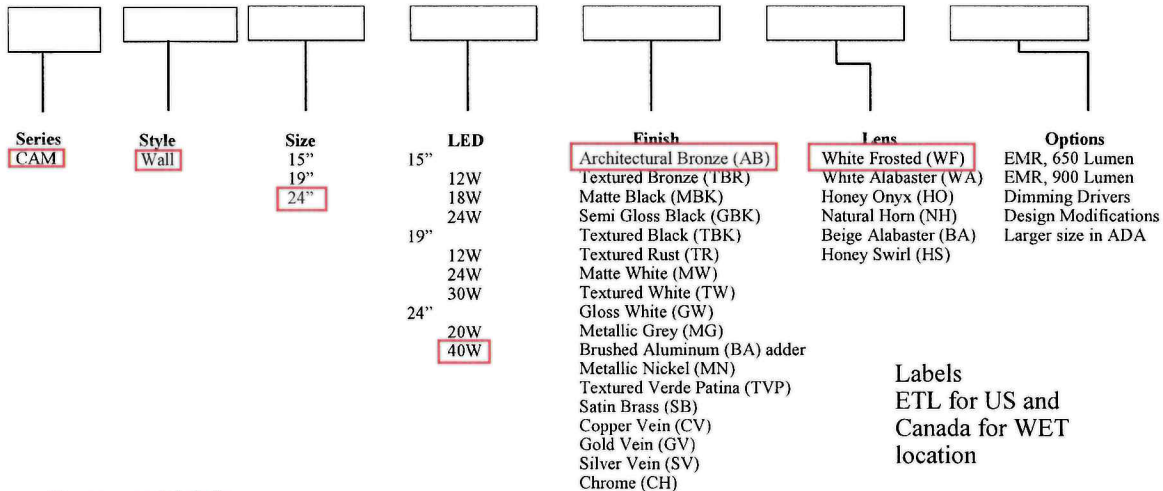
15"H X 7"W X 4"D
 19"H X 9"W X 5 1/2"D
 24"H X 10"W X 5 1/2"D

Cambridge Series

DELIVERED LUMENS PER WATT
 2700K = 80
 3000K = 90
 3500K = 100
 4100K = 110
 5000K = 120

ORDERING INFORMATION

Sample Number: CAM-W-24W-AB-WF



Evergreen Lighting
 www.evergreenlighting.com

21-96-C

BROOKSHIRE ORDER CODE:
HSLDCC200E-135W14000L-MV-40K BZ
Note: Leave off HSL for DLC Listing

HSL DCC200E Series

LED Large Full Cut-Off Wall Pack

Applications

- Security, pathway and perimeter lighting
- Building entryways and walkways

Features

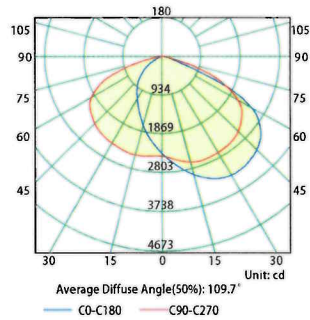
- Suitable for WET location/Outdoor
- Full Cutoff and compliance to Dark Sky requirement
- 90W-135W power consumption, to replace 250-400W MH - Lumen output 9300-14000lm
- Type III polycarbonate optical lens with UV stabilizers
- 120-277V and 347V for North American
- UL/cUL
- 82 CRI



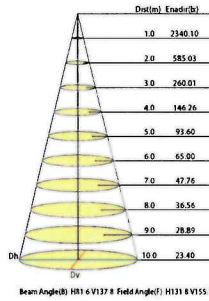
Photometrics

HSL DCC200E90W9500LMV50K

Luminous Intensity Distribution Curve

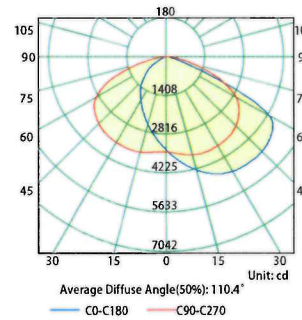


Illuminance at a Distance

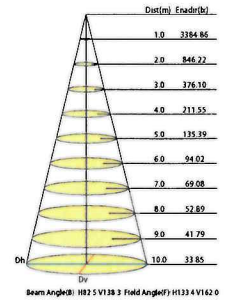


DCC200E135W14000LMV50K

Luminous Intensity Distribution Curve

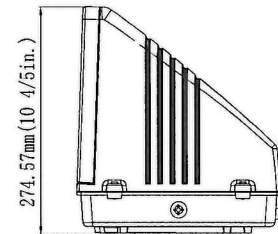
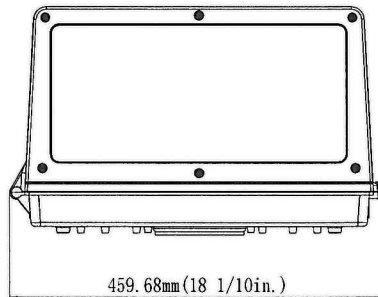
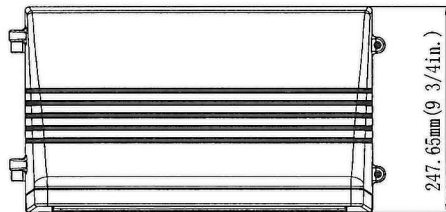


Illuminance at a Distance



Dimensions

All dimensions are inches. Specifications subject to change without notice



ORDERING INFORMATION

HSL DCC200E

Series

HSL **DCC200E**

135W14000L

Wattage and Lumen

90W9500L

90 System Watts,
9500 Delivered Lumens

135W14000L

135 System Watts,
14000 Delivered Lumens

MV

Driver

MV

Multi - Volt
120V-277V

40K

Kelvin Temperature

40K

4000K

50K

5000K



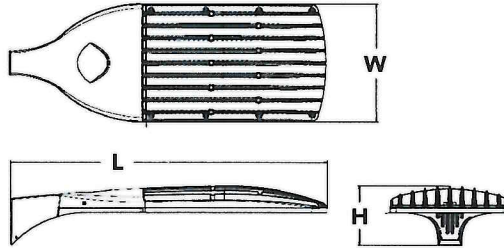
D-Series Size 2 LED Area Luminaire

d²series



Specifications

EPA:	1.1 ft ² (0.10 m ²)
Length:	40" (101.6 cm)
Width:	15" (38.1 cm)
Height:	7-1/4" (18.4 cm)
Weight (max):	36 lbs (16.3 kg)



Catalog Number
Notes
Type

A+ Capable Luminaire

This item is an A+ capable luminaire, which has been designed and tested to provide consistent color appearance and system-level interoperability.

- All configurations of this luminaire meet the Acuity Brands' specification for chromatic consistency
- This luminaire is A+ Certified when ordered with DTL[®] controls marked by a **shaded background**. DTL DLL equipped luminaires meet the A+ specification for luminaire to photocontrol interoperability¹
- This luminaire is part of an A+ Certified solution for ROAM[®] or XPoint[™] Wireless control networks, providing out-of-the-box control compatibility with simple commissioning, when ordered with drivers and control options marked by a **shaded background**¹

To learn more about A+, visit www.acuitybrands.com/aplus.

1. See ordering tree for details.
2. A+ Certified Solutions for ROAM require the order of one ROAM node per luminaire. Sold Separately: [Link to Roam](#); [Link to DTL DLL](#)

A+ Capable options indicated by this color background.

Ordering Information

EXAMPLE: DSX2 LED P7 T3M MVOLT SPA DDBXD

DSX2 LED

Series	LEDs	Color temperature	Distribution	Voltage	Mounting	
DSX2 LED	Forward optics	30K 3000 K	T1S Type I Short	MVOLT ^{4,5} 120 ⁶ 208 ^{5,6} 240 ^{5,6} 277 ⁶ 347 ^{5,6,7} 480 ^{5,6,7}	Shipped included SPA Square pole mounting RPA Round pole mounting WBA Wall bracket SPUMBA Square pole universal mounting adaptor ⁸ RPUMBA Round pole universal mounting adaptor ⁸ Shipped separately KMA8 DDBXD U Mast arm mounting bracket adaptor (specify finish) ⁹	
	P1 P5	40K 4000 K	T2S Type II Short			
	P2 P6	50K 5000 K	T2M Type II Medium			
	P3 P7	AMBPC Amber phosphor converted ^{2,3}	T3S Type III Short			
	P4 P8		T3M Type III Medium			
	Rotated optics ¹		T4M Type IV Medium			BLC Backlight control ^{2,3}
	P10 P13		TFTM Forward Throw Medium			LCCO Left corner cutoff ^{2,3}
	P11 P14					RCCO Right corner cutoff ^{2,3}
	P12					

Control options	Other options	Finish
Shipped installed	Shipped installed	DDBXD Dark bronze
NLTAIR2 nLight AIR generation 2 enabled ¹⁰	HS House-side shield ²⁰	DBLXD Black
PER NEMA twist-lock receptacle only (no controls) ¹¹	SF Single fuse (120, 277, 347V) ⁶	DNAXD Natural aluminum
PERS Five-wire receptacle only (no controls) ^{11,12}	DF Double fuse (208, 240, 480V) ⁶	DWHXD White
PER7 Seven-wire receptacle only (no controls) ^{11,12}	L90 Left rotated optics ¹	DBBTDX Textured dark bronze
DMG 0-10V dimming extend out back of housing for external control (no controls)	R90 Right rotated optics ¹	DBLBXD Textured black
DS Dual switching ^{13,14}	Shipped separately	DNATXD Textured natural aluminum
PIRH Bi-level, motion/ambient sensor, 15'-30' mounting height, ambient sensor enable at 5fc ^{5,15}	BS Bird spikes ²¹	DWHGXD Textured white
PIRHN Network, Bi-Level motion/ambient sensor ¹⁶	EGS External glare shield ²¹	
PIRH1FC3V Bi-level, motion sensor, 15'-30' mounting height, ambient sensor enabled at 1fc ^{5,15}		
BL30 Bi-level switched dimming, 30% ^{5,13,17}		
BL50 Bi-level switched dimming, 50% ^{5,13,17}		
PNMTDD3 Part night, dim till dawn ^{5,18}		
PNMT5D3 Part night, dim 5 hrs ^{5,18}		
PNMT6D3 Part night, dim 6 hrs ^{5,18}		
PNMT7D3 Part night, dim 7 hrs ^{5,18}		
FAO Field Adjustable Output ¹⁹		



21-96-C

Ordering Information

Accessories

Ordered and shipped separately.

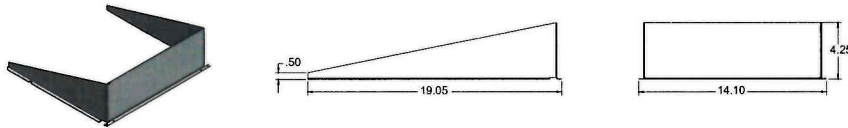
DLL127F 1.5 JU	Photocell - SSL twist-lock (120-277V) ²²
DLL1347F 1.5 CUL JU	Photocell - SSL twist-lock (347V) ²²
DLL1480F 1.5 CUL JU	Photocell - SSL twist-lock (480V) ²²
DSHORT SBK U	Shorting cap ²²
DSX2HS 80C U	House-side shield for 80 LED unit ²⁰
DSX2HS 90C U	House-side shield for 90 LED unit ²⁰
DSX2HS 100C U	House-side shield for 100 LED unit ²⁰
PUMBA DDBXD U*	Square and round pole universal mounting bracket (specify finish) ²³
KMA8 DDBXD U	Mast arm mounting bracket adaptor (specify finish) ²³

For more control options, visit [DTL](#) and [ROAM](#) online.

NOTES

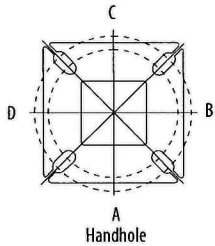
- P10, P11, P12 or P14 and rotated optics (L90, R90) only available together.
- AMBPC not available with BLC, LCCO, RCCO, HS or P5, P7, P8, P13 or P14.
- Not available with HS.
- MVOLT driver operates on any line voltage from 120-277V (50/60 Hz).
- Any PIRx with BL30, BL50 or PNMT, is not available with 208V, 240V, 347V, 480V or MVOLT. It is only available in 120V or 277V specified.
- Single fuse (SF) requires 120V, 277V or 347V. Double fuse (DF) requires 208V, 240V or 480V.
- Not available with BL30, BL50 or PNMT options.
- Existing drilled pole only. Available as a separate combination accessory; for retrofit use only: PUMBA (finish U, 1.5 G vibration load rating per ANCI C136.31).
- Must order fixture with SPA option. Must be ordered as a separate accessory; see Accessories information. For use with 2-3/8" mast arm (not included).
- Must be ordered with PIRHIN.
- Photocell ordered and shipped as a separate line item from Acuity Brands Controls. See accessories. Not available with DS option. Shorting Cap included.
- If ROAM® node required, it must be ordered and shipped as a separate line item from Acuity Brands Controls. Node with integral dimming. Shorting Cap included.
- Requires (2) separately switched circuits. See Outdoor Control Technical Guide for details.
- Provides 50/50 fixture operation via (2) independent drivers. Not available with PER, PER5, PER7, PIR or PIRH.
- Reference Motion Sensor table on page 3.
- Must be ordered with NLTAR2. For more information on nLight Air 2 [visit this link](#).
- Not available with 347V, 480V, DS and PNMT. For PER5 or PER7 see PER Table on page 3. Requires isolated neutral.
- Not available with 347V, 480V, DS, BL30, BL50. For PER5 or PER7 see PER Table on page 3. Separate Dusk to Dawn required.
- Not available with other dimming controls options.
- Not available with BLC, LCCO and RCCO distribution. Also available as a separate accessory; see Accessories information.
- Must be ordered with fixture for factory pre-drilling.
- Requires luminaire to be specified with PER, PER5 and PER7 option. Ordered and shipped as a separate line item from Acuity Brands Controls.
- For retrofit use only.

External Glare Shield



Drilling

HANDHOLE ORIENTATION



Tenon Mounting Slipfitter **

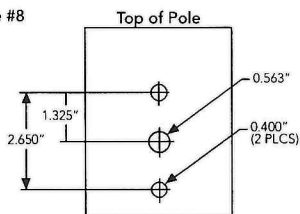
Tenon O.D.	Single Unit	2 at 180°	2 at 90°	3 at 120°	3 at 90°	4 at 90°
2-3/8"	AST20-190	AST20-280	AST20-290	AST20-320	AST20-390	AST20-490
2-7/8"	AST25-190	AST25-280	AST25-290	AST25-320	AST25-390	AST25-490
4"	AST35-190	AST35-280	AST35-290	AST35-320	AST35-390	AST35-490

Pole drilling nomenclature: # of heads at degree from handhole (default side A)

DM19AS	DM28AS	DM29AS	DM32AS	DM39AS	DM49AS
1 @ 90°	2 @ 280°	2 @ 90°	3 @ 120°	3 @ 90°	4 @ 90°
Side B	Side B & D	Side B & C	Round pole only	Side B, C, & D	Sides A, B, C, D

Note: Review luminaire spec sheet for specific nomenclature

Template #8



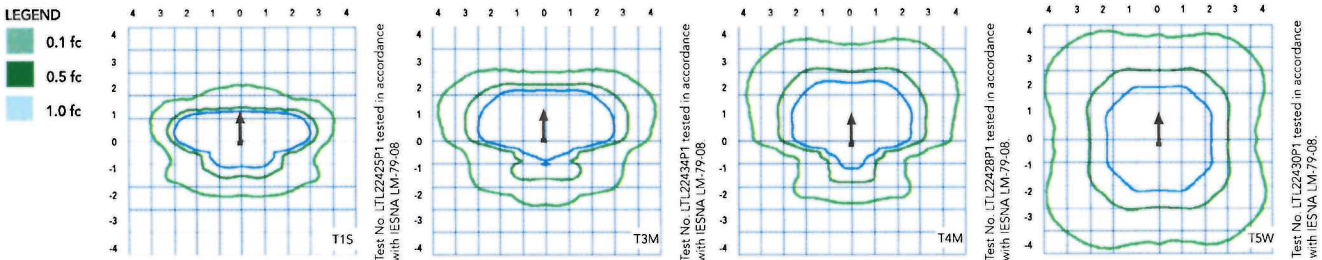
Pole top or tenon O.D.	4.5" @ 90°	4" @ 90°	3.5" @ 90°	3" @ 90°	4.5" @ 120°	4" @ 120°	3.5" @ 120°	3" @ 120°
DSX SPA	Y	Y	Y	N	-	-	-	-
DSX RPA	Y	Y	N	N	Y	Y	Y	Y
DSX SPUMBA	Y	N	N	N	-	-	-	-
DSX RPUMBA	N	N	N	N	Y	Y	Y	N

*3 fixtures @120 require round pole top/tenon.

Photometric Diagrams

To see complete photometric reports or download .ies files for this product, visit Lithonia Lighting's [D-Series Area Size 2 homepage](#).

Isofootcandle plots for the DSX2 LED 80C 1000 40K. Distances are in units of mounting height (30").



Performance Data

Lumen Ambient Temperature (LAT) Multipliers

Use these factors to determine relative lumen output for average ambient temperatures from 0-40°C (32-104°F).

Ambient		Lumen Multiplier
0°C	32°F	1.04
5°C	41°F	1.04
10°C	50°F	1.03
15°C	59°F	1.02
20°C	68°F	1.01
25°C	77°F	1.00
30°C	86°F	0.99
35°C	95°F	0.98
40°C	104°F	0.97

Electrical Load

	Performance Package	LED Count	Drive Current	Wattage	Current (A)					
					120	208	240	277	347	480
Forward Optics (Non-Rotated)	P1	80	530	140	1.18	0.68	0.59	0.51	0.40	0.32
	P2	80	700	185	1.56	0.90	0.78	0.66	0.52	0.39
	P3	80	850	217	1.82	1.05	0.90	0.80	0.63	0.48
	P4	80	1050	270	2.27	1.31	1.12	0.99	0.79	0.59
	P5	80	1250	321	2.68	1.54	1.34	1.17	0.93	0.68
	P6	100	1050	343	2.89	1.66	1.59	1.37	1.00	0.71
	P7	100	1250	398	3.31	1.91	1.66	1.45	1.16	0.81
	P8	100	1350	431	3.61	2.07	1.81	1.57	1.25	0.91
Rotated Optics (Requires L90 or R90)	P10	90	530	156	1.30	0.76	0.65	0.62	0.45	0.32
	P11	90	700	207	1.75	1.01	0.87	0.74	0.60	0.46
	P12	90	850	254	2.12	1.22	1.06	0.94	0.73	0.55
	P13	90	1200	344	2.88	1.65	1.44	1.25	1.00	0.73
	P14	90	1400	405	3.39	1.95	1.71	1.48	1.18	0.86

Projected LED Lumen Maintenance

Data references the extrapolated performance projections for the platforms noted in a **25°C ambient**, based on 10,000 hours of LED testing (tested per IESNA LM-80-08 and projected per IESNA TM-21-11).

To calculate LLF, use the lumen maintenance factor that corresponds to the desired number of operating hours below. For other lumen maintenance values, contact factory.

Operating Hours	0	25000	50000	100000
Lumen Maintenance Factor	1.00	0.96	0.92	0.85

Motion Sensor Default Settings

Option	Dimmed State	High Level (when triggered)	Photocell Operation	Dwell Time	Ramp-up Time	Ramp-down Time
PIR or PIRH	3V (37%) Output	10V (100%) Output	Enabled @ 5FC	5 min	3 sec	5 min
*PIR1FC3V or PIRH1FC3V	3V (37%) Output	10V (100%) Output	Enabled @ 1FC	5 min	3 sec	5 min

*for use with Inline Dusk to Dawn or timer.

PER Table

Control	PER (3 wire)	PER5 (5 wire)		PER7 (7 wire)	
		Wire 4/Wire5	Wire 4/Wire5	Wire 4/Wire5	Wire 6/Wire7
Photocontrol Only (On/Off)	✓	▲	▲	▲	Wires Capped inside fixture
ROAM	✗	✓	▲	▲	Wires Capped inside fixture
ROAM with Motion (ROAM on/off only)	✗	▲	Wires Capped inside fixture	▲	Wires Capped inside fixture
Future-proof*	✗	▲	Wired to dimming leads on driver	✓	Wires Capped inside fixture
Future-proof* with Motion	✗	▲	Wires Capped inside fixture	✓	Wires Capped inside fixture



*Future-proof means: Ability to change controls in the future.

FEATURES & SPECIFICATIONS

INTENDED USE

The sleek design of the D-Series Area Size 2 reflects the embedded high performance LED technology. It is ideal for applications like car dealerships and large parking lots adjacent to malls, transit stations, grocery stores, home centers, and other big-box retailers.

CONSTRUCTION

Single-piece die-cast aluminum housing has integral heat sink fins to optimize thermal management through conductive and convective cooling. Modular design allows for ease of maintenance and future light engine upgrades. The LED drivers are mounted in direct contact with the casting to promote low operating temperature and long life. Housing is completely sealed against moisture and environmental contaminants (IP65). Low EPA (1.1 ft²) for optimized pole wind loading.

FINISH

Exterior parts are protected by a zinc-infused Super Durable TGIC thermoset powder coat finish that provides superior resistance to corrosion and weathering. A tightly controlled multi-stage process ensures a minimum 3 mils thickness for a finish that can withstand extreme climate changes without cracking or peeling. Available in both textured and non-textured finishes.

OPTICS

Precision-molded proprietary acrylic lenses are engineered for superior area lighting distribution, uniformity, and pole spacing. Light engines are available in 3000 K, 4000 K, or 5000 K (70 CRI) configurations. The D-Series Size 2 has zero uplight and qualifies as a Nighttime Friendly™ product, meaning it is consistent with the LEED® and Green Globes™ criteria for eliminating wasteful uplight.

ELECTRICAL

Light engine configurations consist of high-efficacy LEDs mounted to metal-core circuit boards to maximize heat dissipation and promote long life (up to 1.85/100,000 hrs at 25°C). Class 1 electronic drivers are designed to have a power factor >90%, THD <20%, and an expected life of 100,000 hours with <1% failure rate. Easily-serviceable 10kV surge protection device meets a minimum Category C Low operation (per ANSI/IEEE C62.41.2).

INSTALLATION

Included mounting block and integral arm facilitate quick and easy installation. Stainless steel bolts fasten the mounting block securely to poles and walls, enabling the D-Series Size 2 to withstand up to a 2.0 G vibration load rating per ANSI C136.31. The D-Series Size 2 utilizes the AERIS™ series pole drilling pattern (Template #8). NEMA photocontrol receptacle is available.

LISTINGS

UL Listed for wet locations. Light engines are IP66 rated; luminaire is IP65 rated. Rated for -40°C minimum ambient. U.S. Patent No. D670,857 S. International patent pending.

DesignLights Consortium® (DLC) Premium qualified product and DLC qualified product. Not all versions of this product may be DLC Premium qualified or DLC qualified. Please check the DLC Qualified Products List at www.designlights.org/QPL to confirm which versions are qualified.

International Dark-Sky Association (IDA) Fixture Seal of Approval (FSA) is available for all products on this page utilizing 3000K color temperature only.

WARRANTY

5-year limited warranty. Complete warranty terms located at: www.acuitybrands.com/CustomResources/Terms_and_conditions.aspx

Note: Actual performance may differ as a result of end-user environment and application. All values are design or typical values, measured under laboratory conditions at 25 °C. Specifications subject to change without notice.

