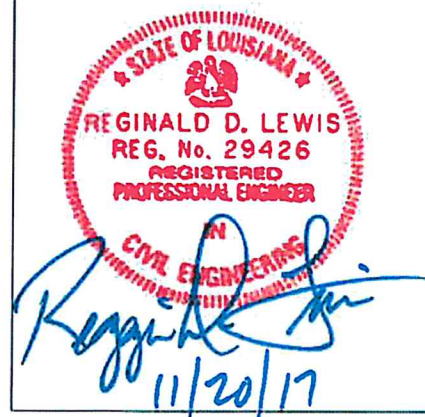


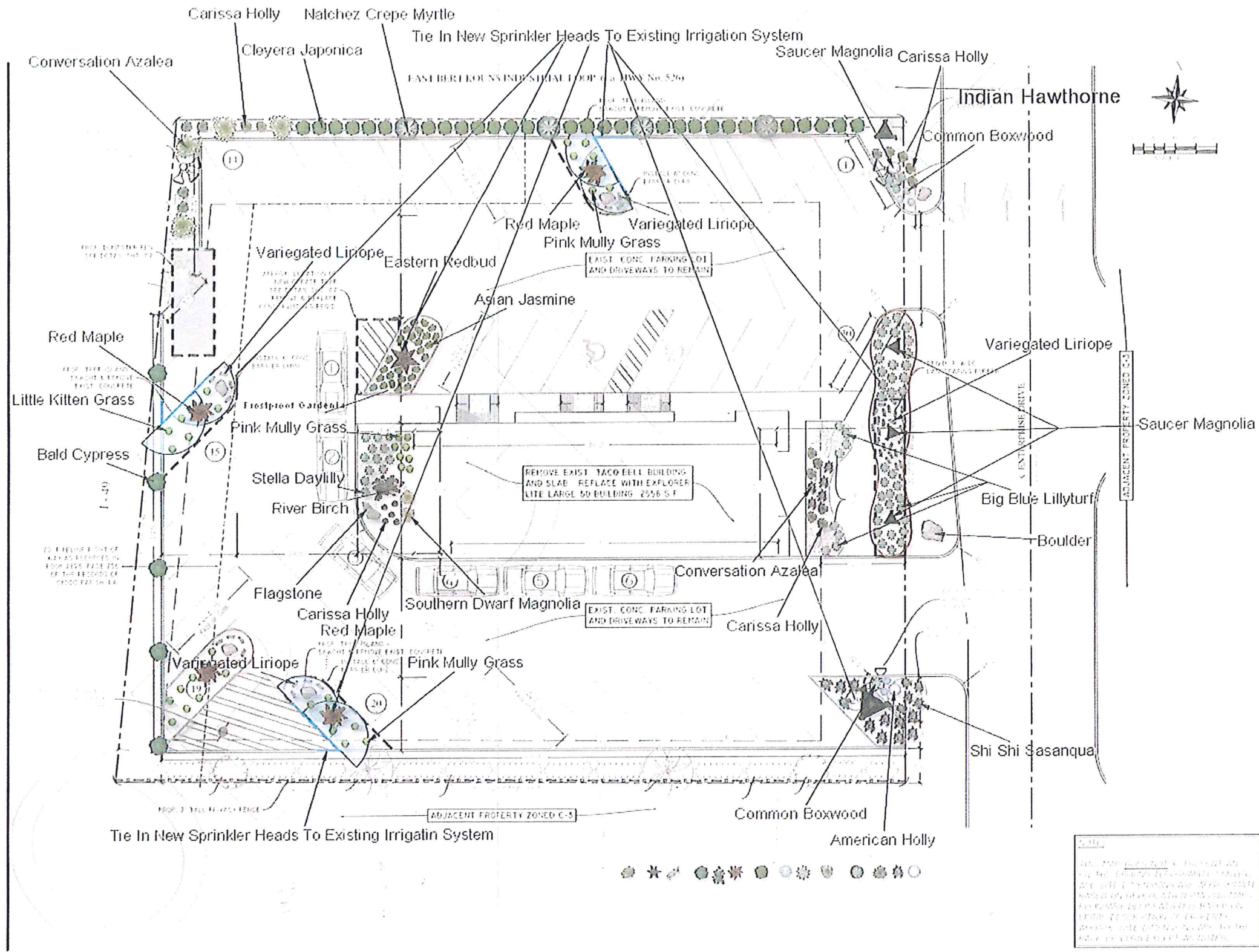
PLANT LEGEND

Plant	Botanical Name	Quantity	Size (Gallon)	Diversity %
Azalea	Conversation	16	3	8.6
Saucer Magnolia	Magnolia X soulangeana	5	30	21
Shi Shi Sasanqua	Camellia Sasanqua	40	3	21.16
Frostproof Gardenia	Gardenia Augusta Frostproof	20	3	10
Daylily	Stella	20	1	10.6
Indian Hawthorne	Rhaphiolepis Indica	20	3	10
Pink Muhly Grass	Muhlenbergia Capillaris	20	3	8.5
Carissa Holly	Ilex Cornuta	20	3	10.6
Natchez Crepe Myrtle	Lagerstroemia x 'Natchez'	4	30	17
Southern Dwarf Magnolia	Magnolia Grandiflora	6	30	26
Big Blue Lillyturf	Liriope Muscari "Big Blue"	75	1	25.90
Common Boxwood	Buxus Sempervirens	20	3	10
Cleyera Japonica	Ternstroemia Gymnanthara	30	3	16
Red Maple	Acer Rubrum	4	30	17
River Birch	Betula Nigra	3	30	50
Bald Cypress	Taxodium Distichum	3	30	50
Variegated Liriope	Liriope Muscari 'Variegata'	36	1	12.41
Eastern Redbud	Cercis canadensis	4	30	17
Asian Jasmine	Trachelospermum asiaticum	15	1	5.17

Materials

Flagstone
 Boulder
 Steel Edging
 Cypress Mulch
 Pine Bark Mulch
 Herbicide
 Pea Gravel
 Centipede Sod
 Evergreen Fertilizer





RA RALEY AND ASSOCIATES, INC.
 Civil & Structural Engineering, Surveying, Planning & Consulting
 4715 South Loop - Suite 407 - Houston, TX 77057
 Phone: 281.251.9423 • Fax: 281.251.9425
 www.ra-raleys.com

1	2	3	4	5	6	7	8	9	10	11	12	13	14	15	16	17	18	19	20
---	---	---	---	---	---	---	---	---	----	----	----	----	----	----	----	----	----	----	----

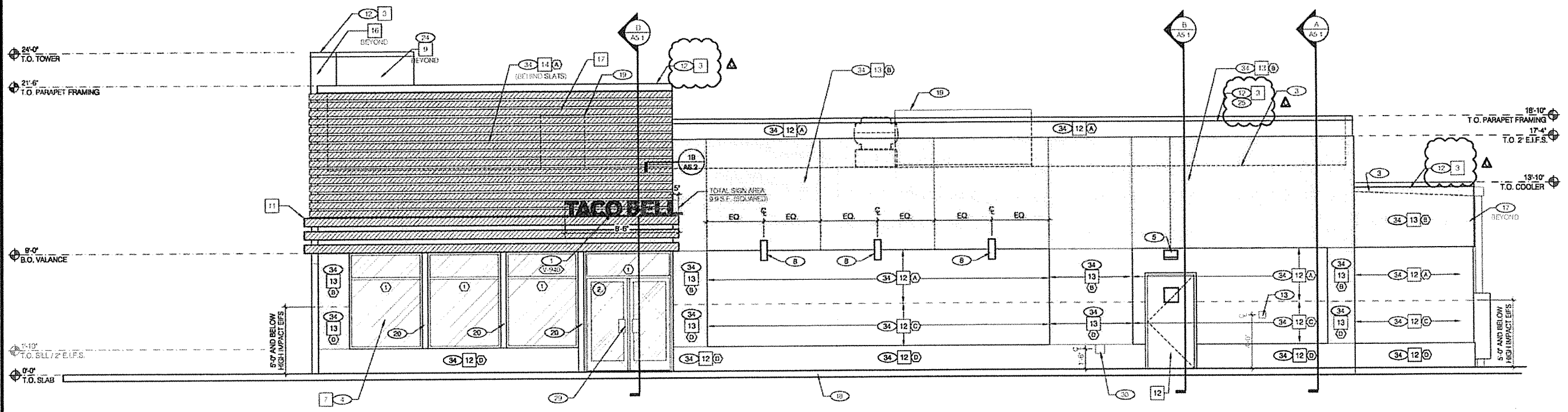
EXPLORER LITE
 MODEL

DIMENSIONED SITE PLAN
C1.0

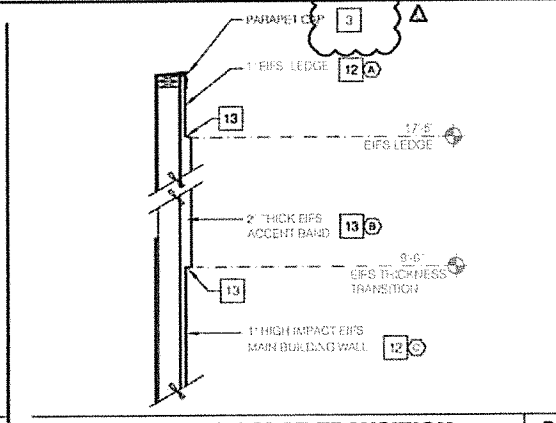
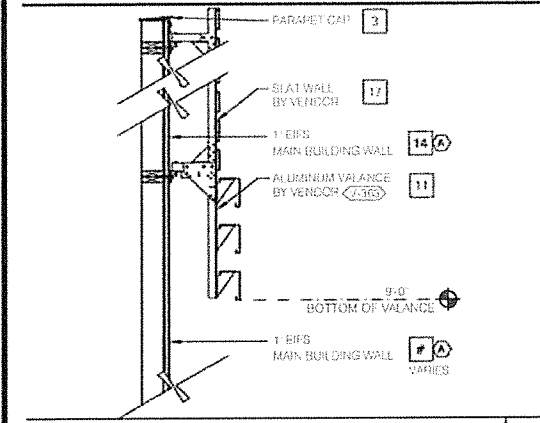


Reginald D. Lewis

11/17/2017



RIGHT SIDE ELEVATION 1/4"=1'0" A



MISCELLANEOUS
 A SEE SHT AT 1 WINDOW TYPES FOR WINDOW ELEVATIONS

SCALERS (REFER TO SPEC)
 A SEALANT AT ALL WALL AND ROOF PENETRATIONS
 B SEALANT AT ALL WINDOW AND DOOR FRAMES AT HEAD AND JAMB DO NOT SEAL SILL @ WINDOWS
 C APPLY NEOPRENE GASKET (JOINT) BETWEEN BUILDING & CANOPY

CRITICAL DIMENSIONS
 A REQUIRED CLEAR OPENING WIDTH TO ENSURE COORDINATION WITH STANDARD SIGNAGE/ BUILDING ELEMENTS DIMENSIONS

NOTE: NO EXTERIOR SIGNS ARE WITHIN THE SCOPE OF WORK COVERED BY THE BUILDING PERMIT APPLICATION. THE GENERAL CONTRACTOR SHALL BE RESPONSIBLE FOR COORDINATING THE INSTALLATION OF ALL EXTERIOR SIGNS AND INSTALLATION OF REQUIRED BLOCKING AND ELECTRICAL CONNECTIONS FOR FINAL APPROVED SIGNS.

GENERAL NOTES

1 BUILDING SIGN BY VENDOR. SEE STRUCTURAL BLOCKING ELEVATIONS, SHEET S-0 FOR MORE INFORMATION. SEE ELECTRICAL PLANS FOR POWER REQUIREMENTS.

2 DRIVE THRU WINDOW. SEE SHEET A10 AND A11.

3 DASHED LINE INDICATES ROOF BEYOND.

4 STOREFRONT TYPICAL.

5 WALL PACK LIGHT FIXTURE.

6 SWITCH GEAR. PAINT TO MATCH WALL.

7 NOT USED.

8 LIGHT SOURCE ALIGN BOTTOM OF FIXTURE'S MOUNTING BRACKET WITH EIFS REVEAL / CHANGE IN EIFS THICKNESS.

9 ASSUME D/T LANE SURFACE IS 0' BELOW THE FINISH FLOOR. REFER TO GRADING & SITE PLAN.

10 NOT USED.

11 TOWER WITH METAL PANEL FINISH.

12 PARAPET COPING IF DURO LAST TRIM IS USED. USE THE DURO LAST PRE-FINISHED EDGE TRIM. SEE DETAIL 2A50.

13 CURT PILLER VALVE & COVER. SEE DETAIL 2A52 S&M.

14 DRIVE THRU CANOPY BY OTHERS.

15 GAS SERVICE.

16 WALL SHALL BE FINISHED PRIOR TO INSTALLATION OF SWITCHGEAR.

17 SCUPPER, COLLECTOR AND VERTICAL DOWNSPOUT 1/8" MIN. PAINT TO MATCH ADJACENT WALL.

18 CONCRETE CURB.

19 ITU BEYOND. PAINT TO MATCH MAIN BUILDING COLOR.

20 BREAK METAL COVER OVER WOOD STUDS TO MATCH STOREFRONT. SEE 30A51.

21 OVERFLOW SCUPPER. SEE ROOF PLAN.

22 NOT USED.

23 BOLLARD.

24 DURALAST SINGLE MEMBRANE ROOFING OR EQUAL.

25 IF THE DURO LAST PARAPET CAP TRIM IS USED, IT SHALL NOT BE PAINTED.

26 NOT USED.

27 NOT USED.

28 NOT USED.

29 STOREFRONT DOOR. REFER TO DOOR SCHEDULE.

30 HOSE BIB LOCATION. REFER TO PLUMBING AND DETAIL 8-A62.

31 GUTTER AND DOWNSPOUT. PAINT TO MATCH COLUMN.

32 NOT USED.

33 NOT USED.

34 EIFS (TYP). SEE 2.5.4A&B?

E.I.F.S. THICKNESS NTS **B**

NOTE: SIGNAGE UNDER SEPARATE PERMIT

QTY	ITEM DESCRIPTION	ELEC
2	TB 3 R 4-0' LOGO BELL FACE LIT	X
3	TB 13' CHANNEL LETTER WRITE	X
1	DRIVE THRU CANOPY 4'-0" D x 9'-0" W x 6'H	X

SIGN SCHEDULE NTS **C**

SYMBOL	AREA	MANUFACTURER	COLOR	ALTERNATE MFR	ALTERNATE COLOR	CONTACT INFORMATION
1	CANOPY RAFTER/ BEAM PAINT	SHERWIN WILLIAMS	SW6022 'WOODSCAPES' BLACK ALDER			SHERWIN WILLIAMS, BRAD HARRINGTON, 210 290 5198 (PHONE), BRAD E. HARRINGTON@SHERWIN.COM (EMAIL)
2	CANOPY COLUMN PAINT	SHERWIN WILLIAMS	SW 7062 'ROCK BOTTOM'			
3	PARAPET CAP (TOWER)	DUROLAST	MEDIUM BRONZE (FACTORY FINISH)	SHERWIN WILLIAMS	SW 7069 'IRON ORE'	DURO LAST, LEE COBB, 803-434-3876 (PHONE)
4	PARAPET CAP (FRONT)	DUROLAST	SHERWIN WILLIAMS SW6632 'IMPULSE PURPLE' EGGSHELL (P 4)			
5	PARAPET CAP (COOLER)	DUROLAST	GALVALUME PLUS (FACTORY FINISH)			
6	PARAPET CAP (DOOR)	DUROLAST	GALVALUME PLUS (FACTORY FINISH)			
7	STOREFRONT WINDOWS	TBD	CLEAR ANODIZED			
8	PIPE BOLLARDS	STREET SVART	YELLOW 1/4" THICK PLASTIC COVER (US POSTMAN.COM) OR EQUAL			
9	PARAPET BACK ROOFING	DUROLAST	THE COLOR SHALL BE FACTORY COLORED 'TAN' EQUAL, ALTERNATE ALLOWED			DUROLAST, LEE COBB, 803-434-3876 (PHONE)
10	AWNING PATIO ROOF COOLER WALL	BERTRIDGE	S-DECK PREWEATHERED GALVALUME			
11	VALANCE COLOR	BY VENDOR	SW 7034 'STATUS BRONZE' (EQUAL)			
12	MAIN BUILDING COLOR	SHERWIN WILLIAMS	SW 7067 'CITYSCAPE'	LOTUSAN	NA09 001	SHERWIN WILLIAMS, BRAD HARRINGTON, 210 290 5198 (PHONE), BRAD E. HARRINGTON@SHERWIN.COM
13	ACCENT COLOR	SHERWIN WILLIAMS	SW 6099 'PAPER WHITE'	LOTUSAN	NA09 0010	EIFS CONTACT: STC CORP., CHUCK DUFFIN, 949-874-2042 (PHONE), 949-874-2095 (FAX), CDUFFIN@STCCORP.COM
14	WALL COLOR BEHIND SCREEN WALL	SHERWIN WILLIAMS	SW 6531 'OLEMIATS'			
15	NOT USED					
16	METAL PANELS	WESTERN STATES METAL ROOFING	16'x6061' RUSSELL PANELS			WESTERN METAL DECK, RUSTY FAIR, RUSTY@METALDECK.COM, WWW.METALDECK.COM
17	SLAT WALL	BY VENDOR	WOOD LINE FINISH - TBD BY VENDOR			

EXTERIOR FINISH SCHEDULE H

NOT USED NTS **E**

KEY NOTES **D**

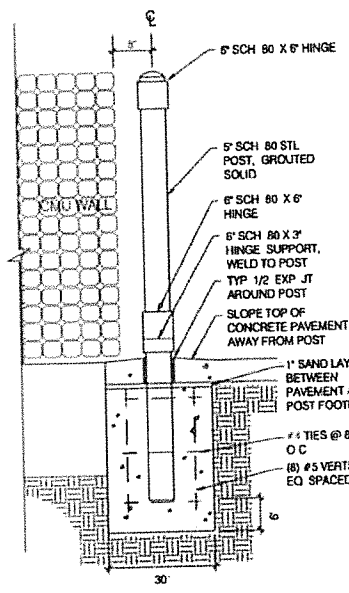
REVISION	DATE
A	DEC 16
B	MAR 17
C	
D	
E	
F	
G	
H	

CONTRACT DATE: XX/XX/XX
 BUILDING TYPE: EXPLORER LITE 1.0
 PLAN VERSION: DECEMBER 2016
 SITE NUMBER: XXX-XXX
 STORE NUMBER: XXXXX

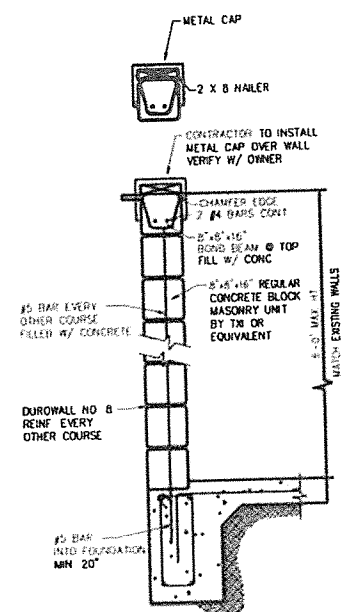
TACO BELL
 BERT DOUNG 361-49
 SHREVEPORT, LOUISIANA



EXTERIOR ELEVATIONS
A4.0A



GATE COLUMN FOOTING NTS F



WALL SECTION NTS D

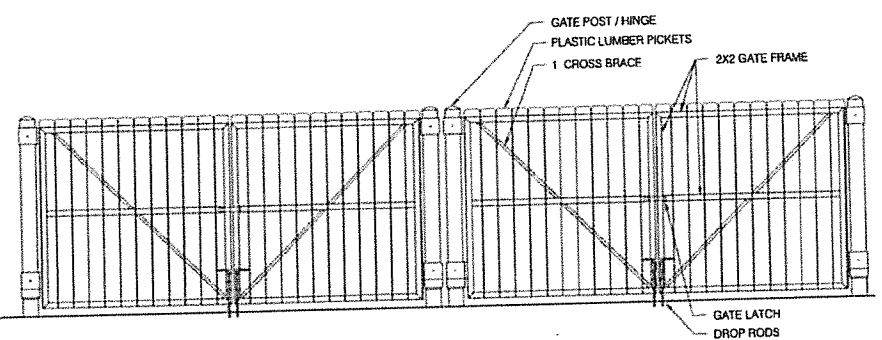
GATE HARDWARE: ALL HARDWARE AND ACCESSORIES SHALL BE HEAVY GALVANIZED.

GATE STOP: MUSHROOM TYPE OR FLUSH PLATE WITH ANCHORS SET IN CONCRETE TO ENGAGE THE CENTER DROP ROD OR PLUNGER BAR.

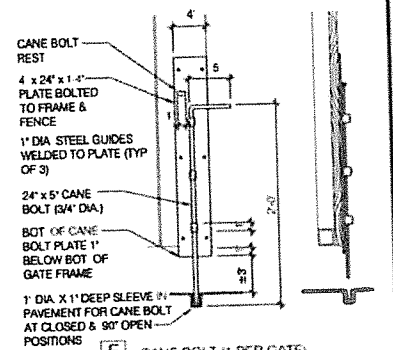
GATE NOTES: (4) EQUAL WIDE x 8'-0" HIGH MTL. GATES, TYPE # 1 1/2" DECKING, 22GA W/ T.S. 1 X .1875 BAR CROSS BRACING WELD AND GRIND SMOOTH ALL CONNECTIONS, TYP. PRIME AND PAINT ALL STEEL COMPONENTS.

SYMBOL	AREA	MANUFACTURER	COLOR
①	GATE FRAME COLOR	SHERWIN WILLIAMS	T B D
②	PIPE BOLLARDS	SHERWIN WILLIAMS	CAUTION YELLOW

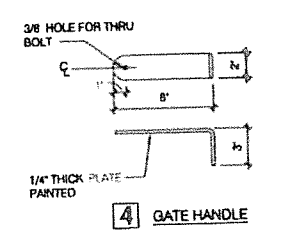
SCHEDULE NTS G



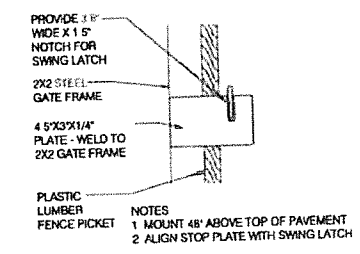
FRONT ELEVATION NTS E



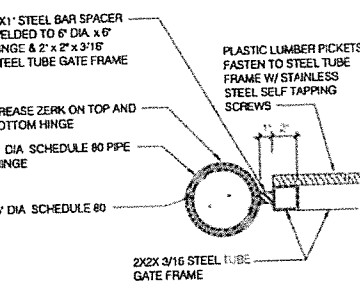
5 CANE BOLT (1 PER GATE)



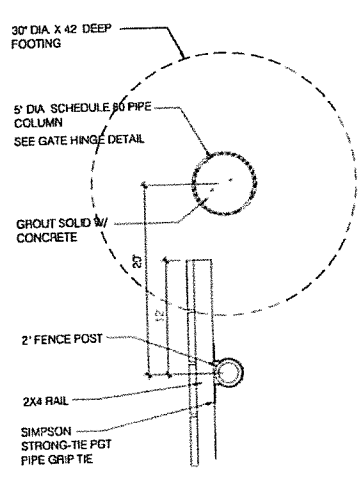
4 GATE HANDLE



3 STOP PLATE SECTION

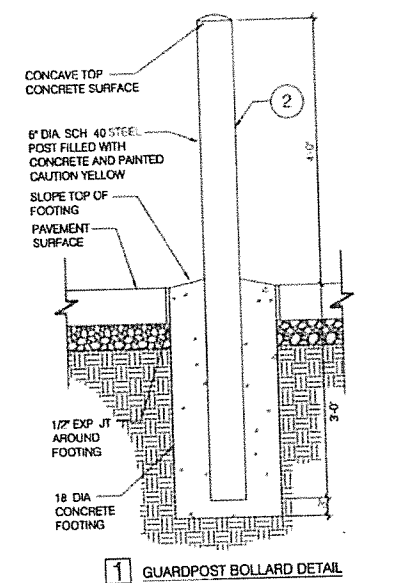


2 GATE HINGE DETAIL



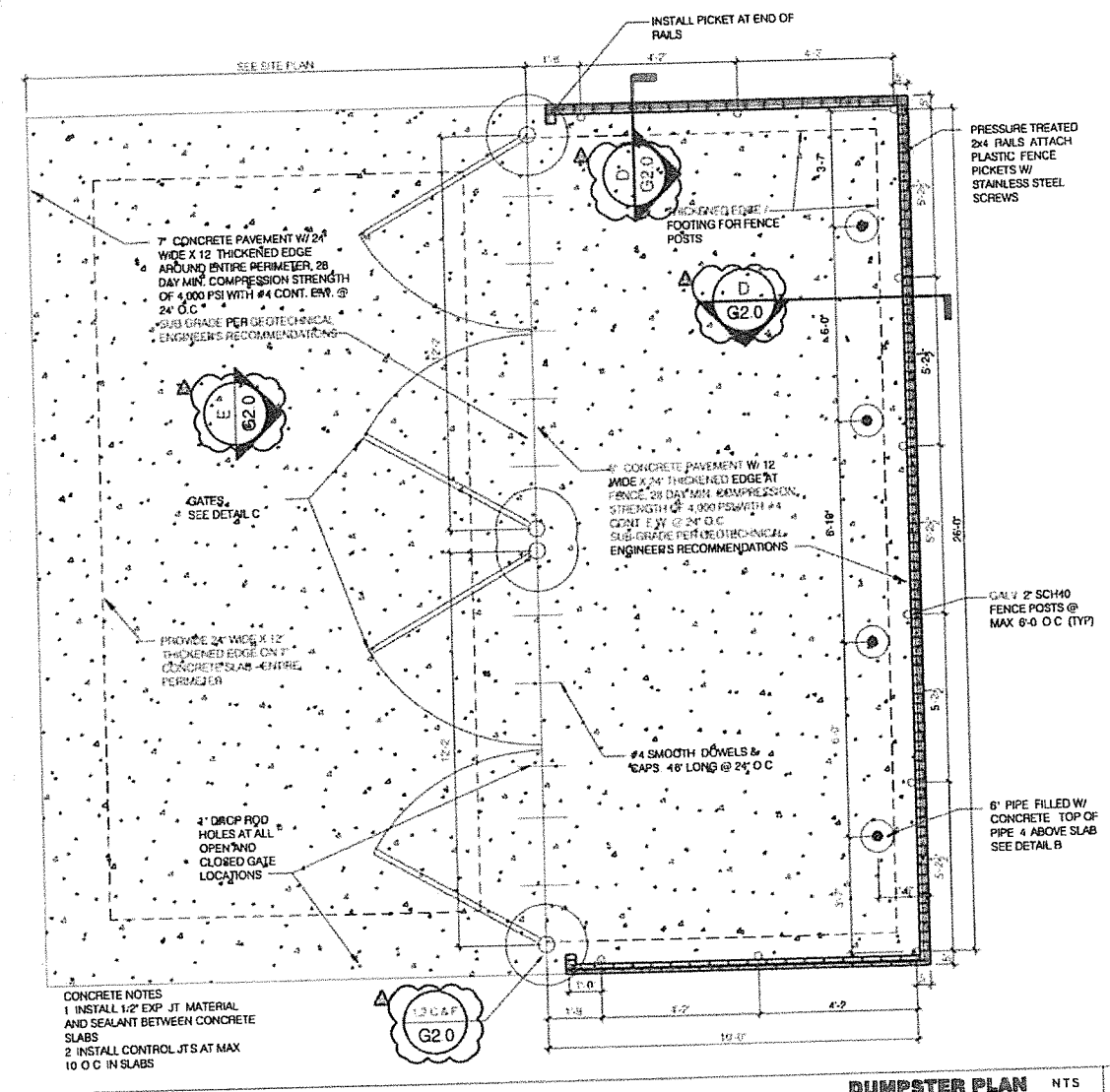
1 JAMB DETAIL

GATE DETAILS VARIES C



1 GUARDPOST BOLLARD DETAIL

BOLLARD DETAILS 1/4" = 1' 0" B



DUMPSTER PLAN NTS A

RA RALEY AND ASSOCIATES, INC.
 Civil & Structural Engineering, Surveying, Planning & Consulting
 4913 Shad Road - Bossier City, LA 71111
 Phone 318.752.9023 - Fax 318.752.9025
 www.raleyandassociates.com

Reginald J. J...
 8-17-17

R. REVISION	R.	DESCRIPTION

CONTRACT DATE: XX XX XX
 BUILDING TYPE: EXPLORER LITE LG
 PLAN VERSION: DECEMBER 2016
 SITE NUMBER: XXX-XXX
 STORE NUMBER: XXXXX

TACO BELL
 BEAT DOWNS @ 1-49
 SHREVEPORT LOUISIANA

TACO BELL
 EXPLORER LITE
 LARGE50

TRASH ENCLOSURE DETAILS

G2.0

PLOT DATE: 8-31-17