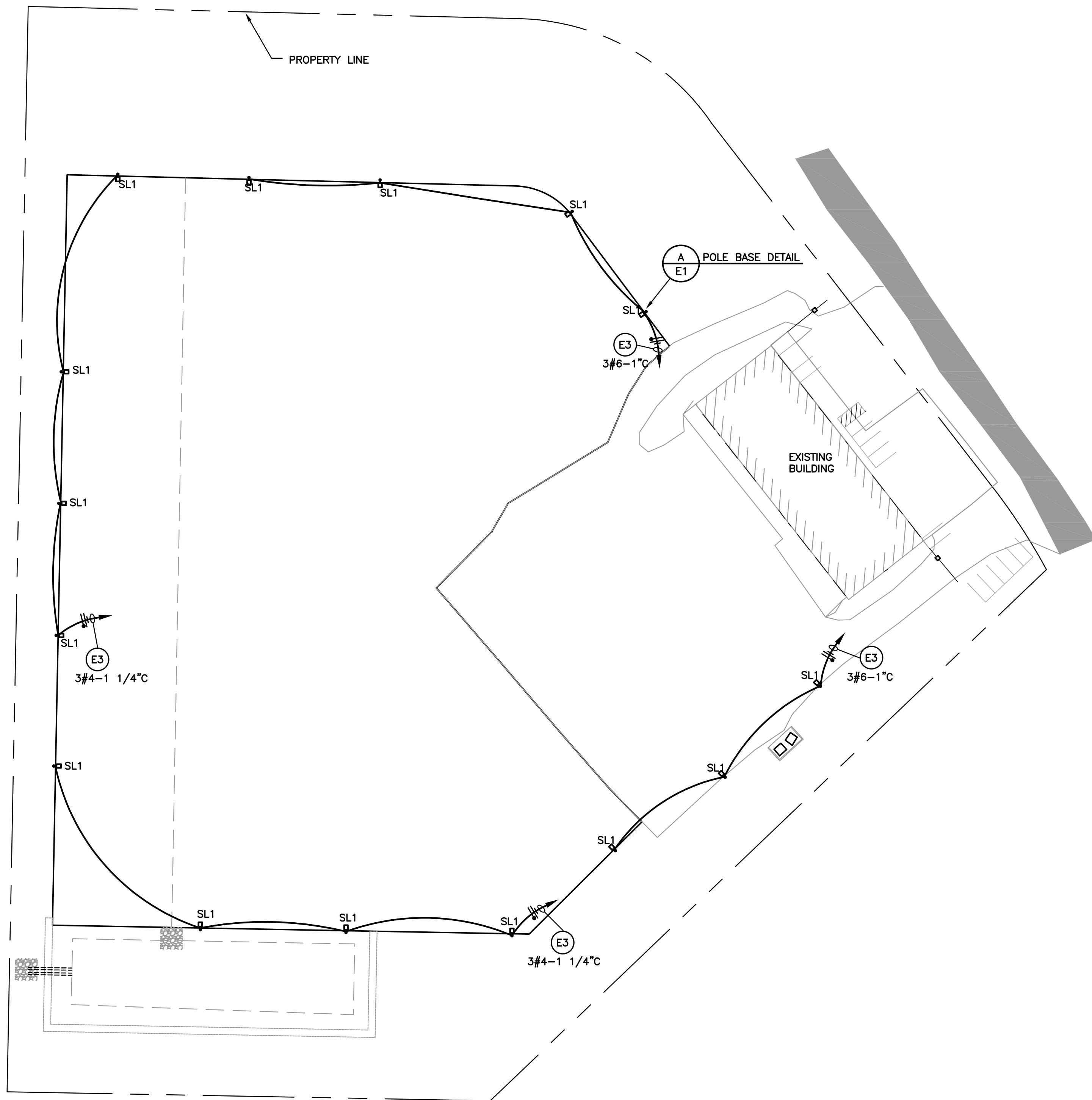


# LIGHTING FIXTURE SCHEDULE

MARK	TYPE	MANUFACTURER CATALOG NO.	LAMPS QTY & TYPE	DESCRIPTION
SL1	AREA LIGHT SINGLE	VISIONAIRE BLXII-6T4192LC104K SWH	LED 4000K	TYPE 4; ROUND STEEL POLE-30'; 100MPH; WHITE

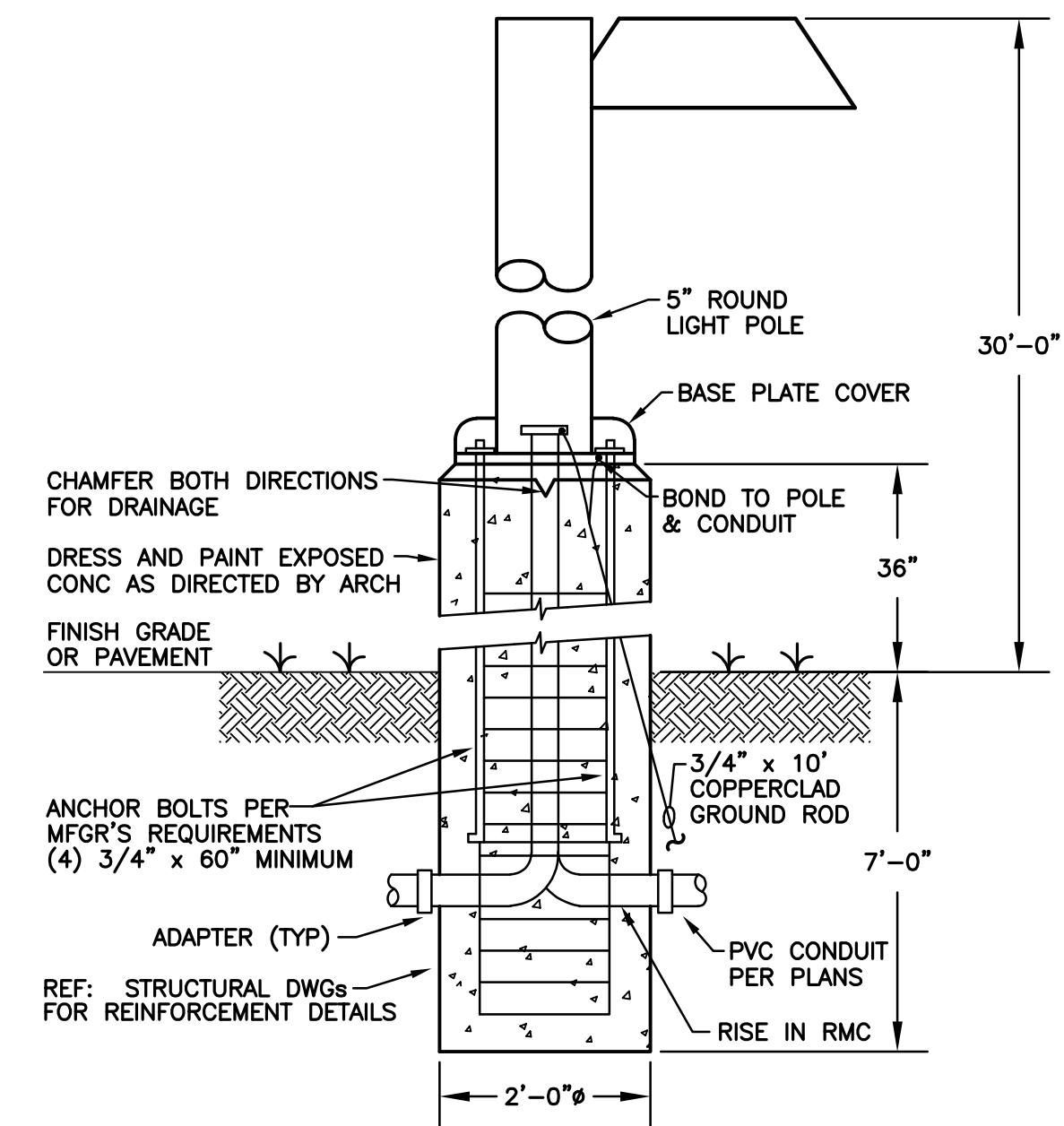
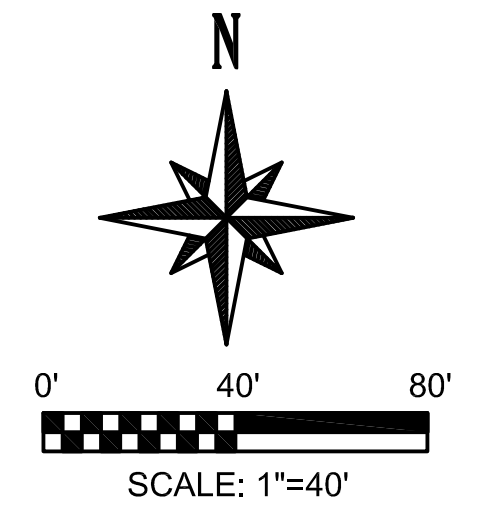
**ELECTRICAL NOTES:**

- (E1) ALL WORK SHALL BE IN ACCORDANCE WITH THE 2014 NATIONAL ELECTRICAL CODE AND ALL LOCAL AND STATE SUPPLEMENTS.
- (E2) CONTRACTOR SHALL COORDINATE LOCATIONS OF SITE LIGHTING POLES WITH ALL UNDERGROUND UTILITIES WITH GENERAL CONTRACTOR AND LOCAL UTILITY CO. PRIOR TO ROUGH-IN.
- (E3) PROVIDE CONDUIT AND WIRING TO NEW 1P-30A CIRCUIT WITH AVAILABLE CAPACITY IN EXISTING BUILDING.



**SITE PLAN - ELECTRICAL**

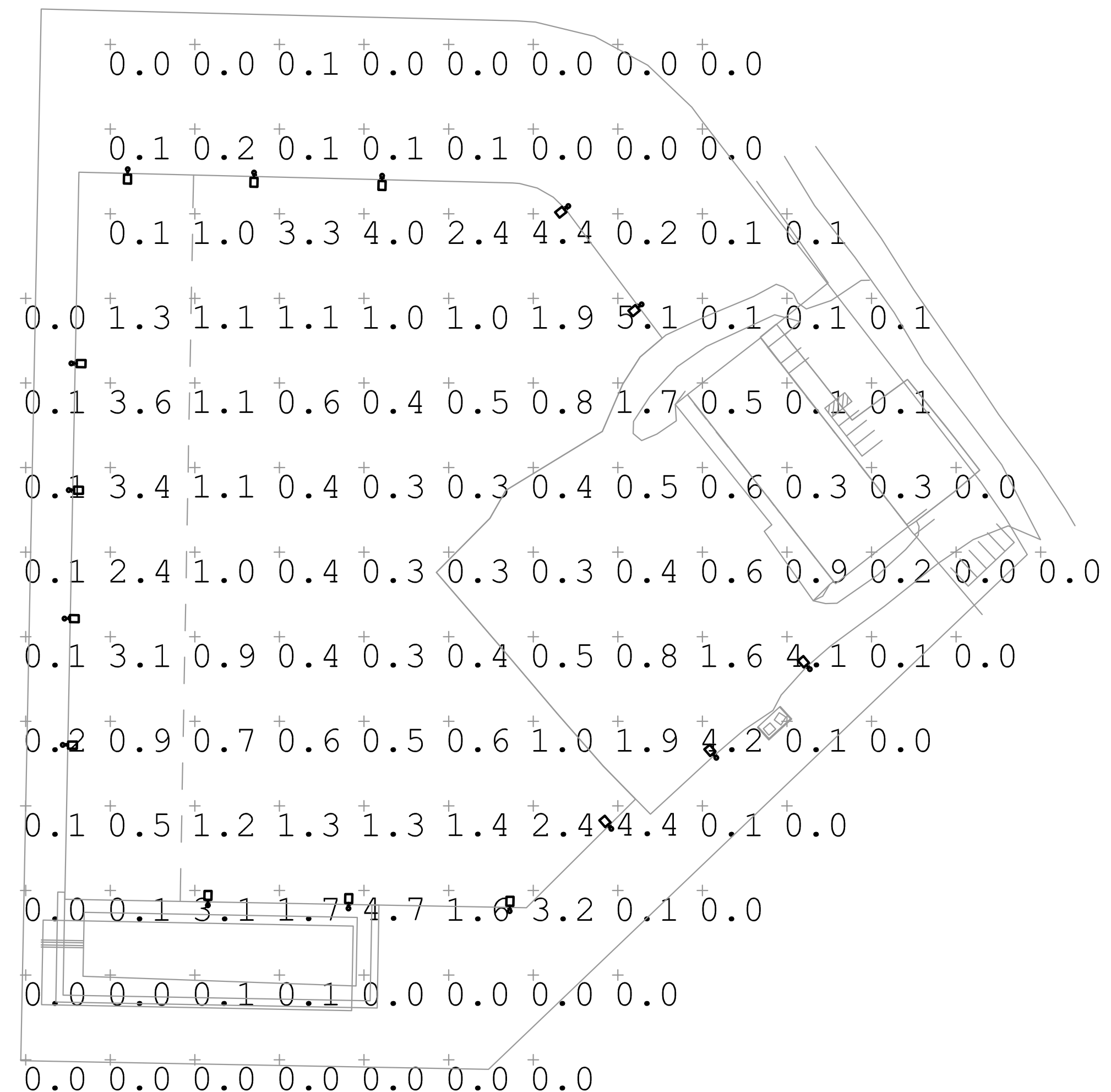
SCALE: 1"=50'-0"



NOTE: POLE BASE IS SHOWN FOR BID PURPOSES ONLY. ACTUAL BASE SHALL BE DESIGNED BY A STRUCTURAL ENGINEER LICENSED IN THE STATE OF LOUISIANA.

**(A) DETAIL - LIGHT POLE BASE**

NO SCALE

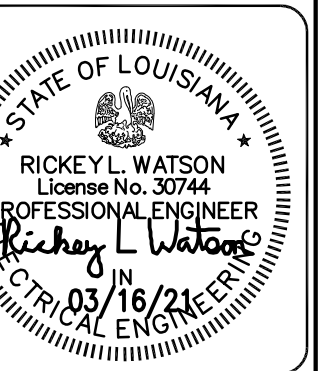


**SITE PLAN - FOOTCANDLE PHOTOMETRICS**

NO SCALE

W&B Services Trailer Storage Area Expansion

W&B Services  
8280 West Antoine Loop  
Shreveport, LA 71129



Site Plan



NO.	DATE	REVISION

Drawn By: LSW	Project Number: 0116.20.28
Scale: 1" = 50'	Date: 03/08/2021
Sheet:	

E1.0